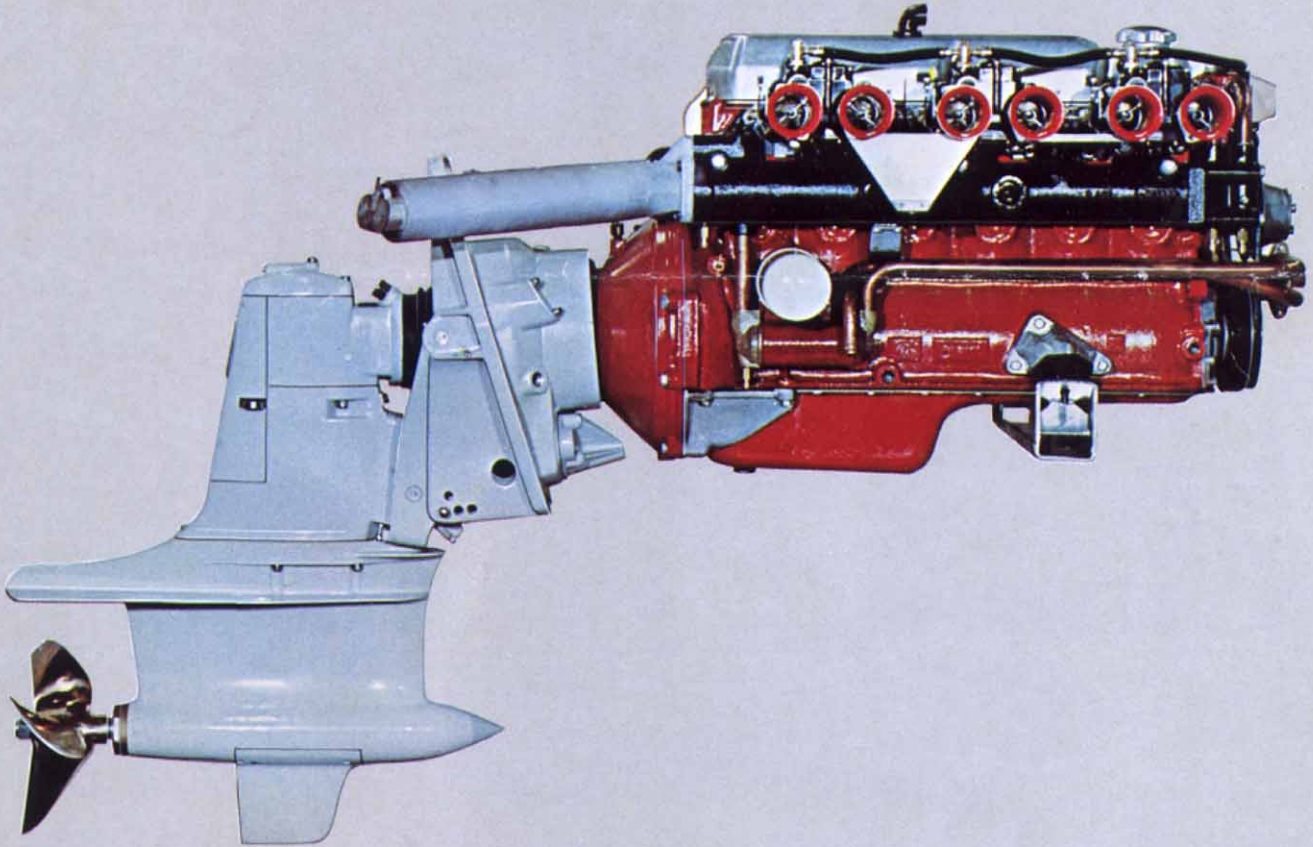




# AQUAMATIC 200 A/270 E



The Aquamatic 200 A/270 E is a further development of the six-cylinder Aquamatic model 170/270. The design of the unit is based on the extensive experience and the advanced technique that has made the Aquamatic one of the best known marine power units in the world for such a long time. The compact dimensions when fitted and the low weight of the unit in relation to the output make installation in fast, light-weight boats possible.

The engine and outboard drive are fitted through a mounting collar in the transom. The sturdy dimensions of the mounting collar and the large contact areas against the transom mean that the engine and the outboard drive form a seaworthy unit with the boat — even in the case of extreme stress.

Above unit is also available with Power Trim (AQ 200 A/270 TE).



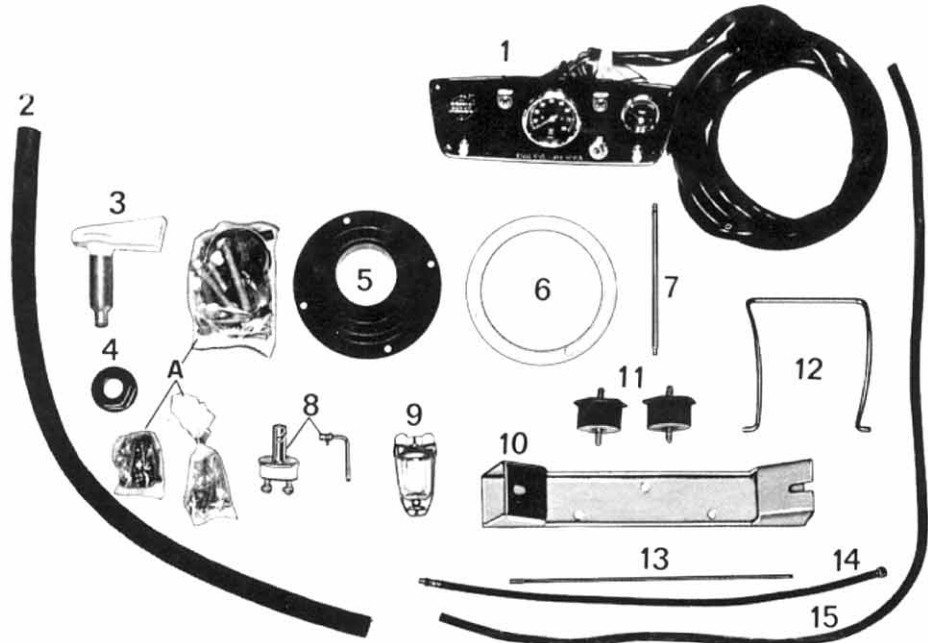
All orders and inquiries concerning the AQ 200 A/270 E unit and parts should be sent to:

**AB VOLVO**

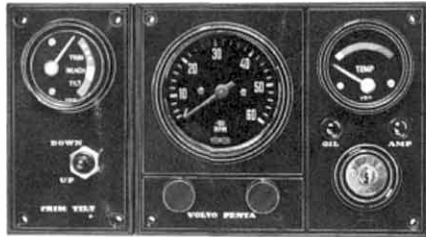
Volvo Competition Service  
405 08 GÖTEBORG  
Phone: 031-54 00 00

## Mounting parts for the AQ 200 A/270 E

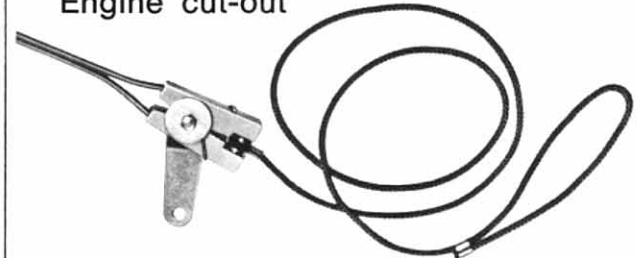
1. Instrument panel with wires  
(single installation)
2. Water hose
3. Water intake
4. Nut
5. Rubber bellows
6. Support ring
7. Setting pin
8. Main switch
9. Fuel filter
10. Support frame
11. Rubber block
12. Transport lock
13. Oil drain table
14. Fuel hose
15. Control cable tube



Instrument panel



Engine cut-out



## Technical Data

Output b.h.p. at r.p.m. (DIN) ..... 200/5,700  
 Torque, k.p.m. at r.p.m. (DIN) ..... 28/4500  
 Max. operation speed r.p.m. .... 5,800  
 Compression ratio ..... 11.2:1

Carburettors (3) ..... Solex 45 DDH-M  
 Weight in kilos: Engine (incl. of mounting  
 kit, instrument panel and collar) .... 233  
 Outboard drive ..... 55  
 Ratio ..... 1.45:1

## Dimension Drawing

