



J. Eberspächer  
GmbH & Co. KG  
Eberspächerstr. 24  
D-73730 Esslingen

Phone (switchboard)  
(0711) 939-00  
Fax  
(0711) 939-0500

[www.eberspaecher.com](http://www.eberspaecher.com)

The troubleshooting and repair instructions are only applicable to the following unit versions

**AIRTRONIC L engine-independent air heater for petrol engines**

Heater	Order No.
AIRTRONIC L – B5, 12 volt	20 1859 05 00 00

**AIRTRONIC L engine-independent air heater for diesel engines**

Heater	Order No.
AIRTRONIC L – B5, 12 volt	25 2361 05 00 00
AIRTRONIC L – D5, 24 volt	25 2362 05 00 00



# 1 Introduction

## List of Contents

This list of contents gives you precise information about the contents of the Troubleshooting and Repair Instructions.

If you are looking for a term, technical term or you would like an abbreviation explained, please use the relevant index at the end of the instructions, from page 53.

Chapter	Title	Contents	Page
1	Introduction	<ul style="list-style-type: none"> <li>• Contents ..... 2 – 3</li> <li>• Foreword ..... 4</li> <li>• Safety instructions for installation and repair ..... 4</li> <li>• Accident prevention ..... 4</li> <li>• Special text structure, presentation and picture symbols ..... 4</li> <li>• Important information before starting work ..... 4</li> </ul>	
2	Function	<ul style="list-style-type: none"> <li>• Cutaway view ..... 5</li> <li>• Functional description ..... 6               <ul style="list-style-type: none"> <li>– Switching on ..... 6</li> <li>– Control in heating mode ..... 6</li> <li>– Ventilation mode ..... 6</li> <li>– Switching off ..... 6</li> </ul> </li> <li>• Control and safety devices ..... 7</li> <li>• Forced shutdown ADR / ADR99 ..... 7</li> <li>• Emergency stop (EMERGENCY OFF) ..... 7</li> </ul>	
3	Product information	<ul style="list-style-type: none"> <li>• Technical data <i>AIRTRONIC L</i> – petrol / diesel ..... 8</li> <li>• Check values ..... 9               <ul style="list-style-type: none"> <li>– Test speed for the blower ..... 9</li> <li>– Resistance values ..... 9</li> <li>– Switching value ..... 9</li> <li>– Exhaust emission specification ..... 9</li> <li>– Check “external” temperature sensor ..... 9</li> <li>– Table of values – “external” temperature sensor ..... 9</li> </ul> </li> </ul>	
4	Troubleshooting	<ul style="list-style-type: none"> <li>• What to check first in case of faults ..... 10               <ul style="list-style-type: none"> <li>– Check ..... 10</li> <li>– Electrical components ..... 10</li> <li>– Measure battery voltage ..... 10</li> <li>– Measure voltage supply (Cl 30) ..... 10</li> <li>– Check switch-on-signal ..... 10</li> <li>– Check control unit ..... 10</li> </ul> </li> <li>• Overview of the individual test equipment and control units ..... 11</li> <li>• Locking the control box ..... 11</li> <li>• Cancel the control box lock ..... 11</li> <li>• Check control unit ..... 12               <ul style="list-style-type: none"> <li>– Before the test ..... 12</li> <li>– Check the setpoint potentiometer of the control unit ..... 12</li> </ul> </li> <li>• Fault diagnosis using the diagnostic unit ..... 13, 14</li> <li>• EDiTH customer service program with ISO adapter ..... 15</li> <li>• EDiTH customer service program with basic adapter ..... 16</li> <li>• Fault diagnosis using the module timer ..... 17</li> <li>• Fault diagnosis using the radio remote control TP5 ..... 18</li> <li>• EasyStart R+ radio remote control ..... 19</li> <li>• Fault code table ..... 20 – 24</li> </ul>	



# 1 Introduction

## List of Contents

Chapter	Title	Contents	Page
5	Repair instructions	<ul style="list-style-type: none"><li>• Repair instructions ..... 25</li><li>• Always observe the following safety instructions before working on the heater ..... 25</li><li>• Special tool AMP release tool ..... 25</li><li>• Assembly drawing ..... 26</li><li>• Parts list ..... 27</li><li>• Repair step 1<ul style="list-style-type: none"><li>• Dismantle / assemble glow plug ..... 28</li></ul></li><li>• Repair step 2<ul style="list-style-type: none"><li>• Dismantle / assemble lining ..... 28</li></ul></li><li>• Repair step 3<ul style="list-style-type: none"><li>• Dismantle / assemble control box ..... 28</li></ul></li><li>• Repair step 4<ul style="list-style-type: none"><li>• Dismantle / assemble combination sensor (overheating / flame sensor) ..... 29</li><li>• Check combination sensor ..... 30</li></ul></li><li>• Repair step 5<ul style="list-style-type: none"><li>• Dismantle / assemble combustion air fan ..... 30</li></ul></li><li>• Repair step 6<ul style="list-style-type: none"><li>• Replace the combustion chamber cover seal ..... 32</li></ul></li><li>• Check fuel supply ..... 33</li><li>• Measuring the fuel quantity ..... 33</li></ul>	
6	Circuit diagram	<ul style="list-style-type: none"><li>• Parts list AIRTRONIC L – 12 volt / 24 volt ..... 34</li><li>• Parts list AIRTRONIC L – ADR – 12 volt / 24 volt ..... 34</li><li>• Circuit diagram AIRTRONIC L – 12 volt / 24 volt ..... 35</li><li>• Circuit diagram for control units ..... 36 – 40</li><li>• Circuit diagram AIRTRONIC L – ADR – 12 volt / 24 volt ..... 41</li><li>• Circuit diagram control units – ADR ..... 42</li><li>• Parts list circuit diagram control unit EasyStart R+ / R / T ..... 43</li><li>• Pin assignments ..... 44</li><li>• Circuit diagram control units – EasyStart R+ ..... 45</li><li>• Circuit diagram control units – EasyStart R ..... 46, 47</li><li>• Circuit diagram control units – EasyStart T ..... 48</li><li>• Circuit diagram control units – EasyStart T – ADR ..... 49</li></ul>	
7	Service	<ul style="list-style-type: none"><li>• Certifications ..... 41</li><li>• Disposal ..... 41</li><li>• EC Declaration of Conformity ..... 41</li><li>• Representatives abroad ..... 42, 43</li></ul>	
8	Index	<ul style="list-style-type: none"><li>• Index ..... 44</li><li>• List of abbreviations ..... 45</li></ul>	

# 1 Introduction

## Foreword

These Troubleshooting and Repair Instructions are applicable to the heaters listed on the title page, to the exclusion of all liability claims.

Depending on the version or revised status of the heater, there may be differences between it and these troubleshooting and repair instructions.

The user must check this before carrying out the repair work and, if necessary, take the differences into account.



### Caution!

#### Safety instructions for installation and repair!

Improper installation or repair of Eberspächer heaters can cause a fire or result poisonous exhaust entering the inside of the vehicle. This can cause serious and even fatal risks.

The heater may only be installed according to the specifications in the technical documents or repaired using original spare parts by authorised and trained persons. Installation and repairs by unauthorised and untrained persons, repairs using non-original spare parts and without the technical documents required for installation and repair are dangerous and therefore are not permitted.

A repair may only be carried out in connection with the respective unit-related technical description, installation instructions, operating instructions and maintenance instructions. This document must be carefully read through before / during installation and repair and followed throughout. Particular attention is to be paid to the official regulations, the safety instructions and the general information.

### Please note!

The relevant rules of sound engineering practice and any information provided by the vehicle manufacturer are to be observed during the installation and repair. Eberspächer does not accept any liability for defects and damage, which are due to installation or repair by unauthorised and untrained persons.

Compliance with the official regulations and the safety instructions is prerequisite for liability claims. Failure to comply with the official regulations and safety instructions leads to exclusion of any liability of the heater manufacturer.

## Accident prevention

General accident prevention regulations and the corresponding workshop and operating safety instructions are to be observed.

## Special text structure, presentation and picture symbols

Special text formats and picture symbols are used in these instructions to emphasise different situations and subjects. Please refer to the following examples for their meanings and appropriate action.

### Special text formats and presentations

- A dot (•) indicates a list, which is started by a heading.
  - If an indented dash (–) follows a „dot“, this list is a subsection of the black dot.

### Picture symbols



#### Danger!

This information points out a potential serious or fatal danger. Ignoring this information can result in severe injuries.



#### Caution!

This information points out a dangerous situation for a person and / or the product. Ignoring this information can result in injuries to people and / or damage to machinery.

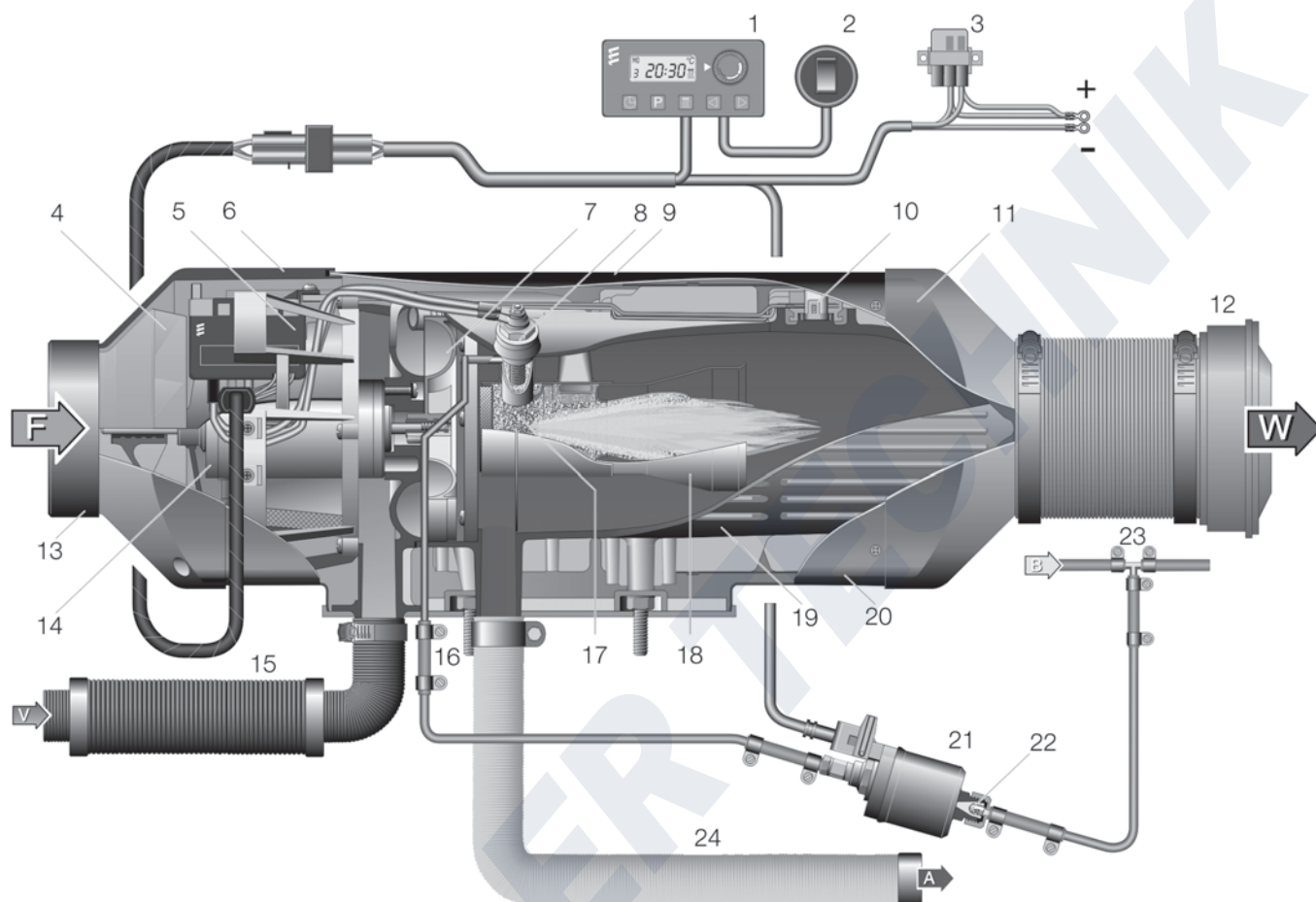
## Important information before starting work

### Initial commissioning of the heater or functional test after a repair

- After installing the heater, the whole fuel supply system must be carefully vented: please refer to and follow the vehicle manufacturer's instructions.
- During the heater trial run, all fuel connections must be checked for leaks and secure, tight fit.
- If faults occur while the heater is running, use a diagnostic unit to determine and correct the cause of the fault

## 2 Function

### Cutaway view



- |    |   |
|----|---|
| 1  | Module timer                                      |
| 2  | Changeover switch „heat / ventilate“              |
| 3  | Fuse bracket                                      |
|    | – Main fuse 25 A                                  |
|    | – Fuse, „actuation“ 15 A                          |
| 4  | Heater impeller                                   |
| 5  | Control box                                       |
| 6  | Intake hood                                       |
| 7  | Combustion air fan                                |
| 8  | Glow plug   |
| 9  | Jacket shell, top                                 |
| 10 | Combination sensor (overheating and flame sensor) |
| 11 | Outlet hood                                       |
| 12 | Outflow   |
| 13 | Safety grille                                     |
| 14 | Electrical motor                                  |
| 15 | Combustion air intake silencer                    |

- |    |                      |
|----|----------------------|
| 16 | Fuel connection      |
| 17 | Combustion chamber   |
| 18 | Flame pipe           |
| 19 | Heat exchanger       |
| 20 | Jacket shell, bottom |
| 21 | Metering pump        |
| 22 | Pot-type strainer    |
| 23 | T-piece              |
| 24 | Exhaust pipe         |

- |   |   |                |
|---|---|----------------|
| F | = | Fresh air      |
| W | = | Hot air        |
| V | = | Combustion air |
| A | = | Exhaust        |
| B | = | Fuel           |

## 2 Function

---

### Description of functions

#### Switching on / starting the heater

When the heater is switched on, the control lamp in the control unit lights up.

The fan starts up in the fan stage "LOW". The glow plug starts with a 3 second delay. After approx. 45 seconds the fuel supply starts and the fuel / air mixture in the combustion chamber ignites.

The fan switches from fan stage "LOW" to fan stage "MEDIUM". The glow plug is switched off after 165 seconds, when a stable flame has formed.

The fan switches from fan stage "MEDIUM" to fan stage "HIGH".

The heater is run at an increased heating capacity of 5.5 kW (stage "POWER") in order to quickly reach the heater's operating temperature. If the heater's operating temperature has been reached, the heating capacity is reduced to 4.8 kW (stage "HIGH"). The length of time for which the heater is run with an increased heating output depends on the ambient temperature.

#### Control in heating mode

If the intake or ambient temperature set at the control device (10 °C up to 30 °C) has been reached, the heater switches to the "LOW" control level and then continues to run with a low fan motor speed.

If the heat flow at the "LOW" control level of 1.2 kW or 2.0 kW is insufficient, the heater switches to the "MEDIUM" control level. The fan continues to run at a low speed. In most cases the "LOW – MEDIUM – LOW" control at a low speed will cover the heating requirements.

If the heat flow at the "MEDIUM" control level is insufficient, the heater switches back to the "HIGH" control level. This in turn requires the full fan motor speed.

If, in special cases, even less heat flow is required than supplied by the heater at the "LOW" control level, the heater switches to "OFF".

The fan then continues to run for approx. 4 – 5 minutes and, only in recirculation mode, constantly ventilates until it is restarted. The restart takes place at the "MEDIUM" control level at a low fan motor speed.

#### Ventilation mode

If the heater is set to "Ventilation" at the control element, the fan runs at maximum speed.

#### Switching off

When the heater is switched off, the control lamp goes out and the fuel delivery is switched off.

The fan continues to run for approx. 4 – 5 minutes to cool down.



## 2 Function

### Control and safety devices

- If the heater does not ignite within 90 seconds after the fuel starts to pump, the start is repeated. If the heater still does not ignite after another 90 seconds of pumping fuel, the heater is switched off, i.e. the fuel supply is off and the fan runs on for approx. 4 – 5 minutes. After an unacceptable number of failed start attempts, the control box is locked.\*
  - If the flame goes off by itself during operation, the heater is restarted. If the heater does not ignite within 90 seconds after the fuel pump has restarted, or ignites and goes off again within 15 minutes, the heater is switched off, i.e. the fuel supply is off and the fan runs on for approx. 4 – 5 minutes. This automatic switching off can be cancelled by briefly switching off and on again. Do not repeat the switching off / on routine more than twice.
  - In the case of overheating, the combined sensor (flame sensor / overheating sensor) triggers, the fuel feed is interrupted and the heater switched off. Once the cause of the overheating has been eliminated, the heater can be restarted by switching off and on again. After an unacceptable number of failed start attempts, the control box is locked.\*
  - If the lower or upper voltage limit is reached, the heater is switched off after 20 seconds.
  - The heater will not start if the glow plug or blower motor is defective or if the electric lead to the metering pump is interrupted.
  - If the combined sensor (flame sensor / overheating sensor) is defect or the electric lead interrupted, the heater starts up and is then switched off again during the start phase.
  - The speed of the blower motor is continuously monitored. If the blower motor does not start up or if the speed deviates by more than 10 %, the heater is switched off after 30 sec.
  - When the heater is switched off, the glow plug is switched on for 40 seconds (after glowing) while the fan runs on, in order to clean off any combustion residues.
- \* The lock can be cancelled and the faults read off:
- using the module timer / EasyStart T
  - using the radio remote control TP5 / EasyStart R+.
- For other controls:
- by connecting the diagnostic unit
  - using the customer service program KD2000 / EDITH.
- For operation and fault list, please refer to Page 13 – 24.

#### Please note!

Do not repeat the switching off / on routine more than twice.

### Forced shut-down during ADR / ADR99 operation

In vehicles for the transport of dangerous goods (e. g. tankers), the heater must be switched off before the truck drives into a danger area (refinery, petrol station, etc.).

Failure to comply results in the heater automatically switching off if:

- The vehicle engine is switched off.
  - An additional unit is started up (e. g. auxiliary drive for unloading pump, etc.).
  - A vehicle door is opened (ADR99 regulation, only in France).
- The fan then continues to run briefly, for max. 40 seconds.

#### Emergency stop – EMERGENCY OFF

If an emergency stop – EMERGENCY OFF – is necessary during operation, proceed as follows:

- Switch the heater off at the control unit or
- pull the fuse out or
- disconnect the heater from the battery.

### 3 Product information

#### Technical data

Heater	AIRTRONIC L – B5				AIRTRONIC L – D5				
Heating medium	Air				Air				
Control of the heat flow	Stage				Stage				
	Power	High	Medium	Low	Power	High	Medium	Low	
Heat flow (watt)	5500	4800	2700	1200	5500	4800	2700	1500	
Heater air flow rate without counterpressure (kg/h)	280	275	180	125	280	275	180	125	
Heater code	10				10				
Fuel consumption (l/h)	0.75	0.65	0.37	0.27	0.66	0.58	0.34	0.19	
Elect. power consumption (watt)	in operation	85	80	30	15	85	80	30	15
	while starting	< 250				< 250			
Rated voltage (volt)	12				12 / 24				
Operating range Lower voltage limit: An undervoltage protector installed in the control box switches off the heater when the voltage limit is reached.	approx. 10 volt and 20 volt respectively Undervoltage protection trigger time: 20 seconds								
	Upper voltage limit: An overvoltage protector installed in the control box switches off the heater when the voltage limit is reached.	approx. 14 volt and approx. 28 volt respectively Overvoltage protection trigger time: 20 seconds							
Fuel	Petrol – standard commercial quality (DIN EN 51600 / DIN EN 228)				Diesel fuel – standard commercial quality (DIN EN 590)				
Permissible ambient temperature	Heater	Control box	Metering pump		Heater	Control box	Metering pump		
	Operation	-40 °C to +50 °C	-40 °C to +75 °C	-40 °C to +20 °C	-40 °C to +70 °C	-40 °C to +75 °C	-40 °C to +50 °C		
	Storage	-40 °C to +85 °C	-40 °C to +85 °C	-40 °C to +85 °C	-40 °C to +85 °C	-40 °C to +85 °C	-40 °C to +85 °C		
Maximum air intake temperature	+40 °C								
Interference suppression	Suppression class 5 to DIN EN 55025								
Weight	approx. 9.3 kg								
Ventilation mode	Possible								



#### Caution!

#### Safety instructions for technical data!

Failure to comply with the technical data can result in malfunctions.

#### Please note!

Provided no limit values are given, the technical data listed is subject to the tolerances usually applicable to heaters of ±10% for nominal voltage, ambient temperature 20 °C and reference altitude Esslingen.



### 3 Product information

#### Check values

##### Test speed for the blower

##### Heater 12 volt

At 11.3 volt n = 4650 – 7000 U/min

##### Heater 24 volt

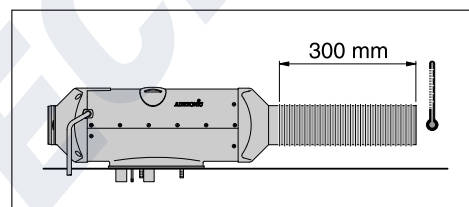
At 23.6 volt n = 4650 – 6500 U/min

##### Resistance values

	12 V	24 V
Glow plug (heat resistance)	ca. 0.6 Ω ± 0.04 Ω	ca. 2 Ω ± 0.2 Ω
Metering pump	9.5 Ω ± 0.50 Ω	36.0 Ω ± 1.8 Ω
Control device setpoint value potentiometer	1750 Ω ±30 Ω – 2180 Ω ±80 Ω	

##### Switching value

Overheating sensor 140 °C – 170 °C  
measured in the "POWER" control stage  
and at a distance of 300mm  
downstream from the hot air outlet.



##### Exhaust emission specification

##### CO<sub>2</sub> in exhaust

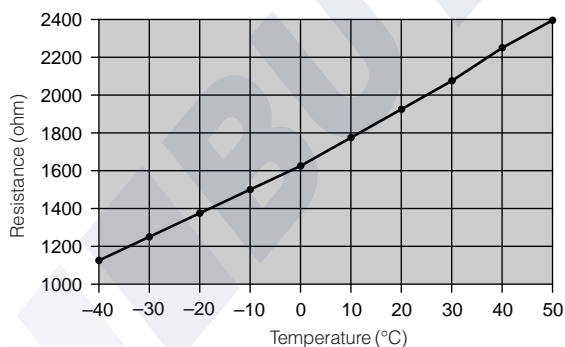
in control stage "HIGH" 7.5 – 12.5 Vol. %

Smoke spot number < 4  
according to Bacharach

##### Check "external" temperature sensor

(Order No.: 25 1774 89 03 00)

The "external" temperature sensor test must be carried out using a digital multimeter. If the resistance value is not the same as the curve in the diagram or the table of values, replace the temperature sensor.



##### Table of values – "external" temperature sensor

Temperature °C	Resistance Ω	min.	max.
0		1600	1660
5		1670	1730
10		1745	1800
15		1820	1870
20		1895	1950
25		1970	2030
30		2050	2110
35		2130	2190
40		2210	2280
45		2295	2370

## 4 Troubleshooting

---

### What to check first in case of faults

- **Check**

- Fuel in the tank?
- Fuel pipes leaking? (visual check)
- Summer diesel in the fuel pipe?
- Combustion air system or exhaust system damaged or blocked?

- **Electrical components**

- Cables, connections damaged?
- Contacts corroded?
- Fuses defective?
- Incorrect wiring? (short circuits, interrupted / broken)

- **Measure battery voltage**

- Battery voltage < 10.5 volt, the undervoltage protection of the 12 volt heater has triggered.
- Battery voltage < 21 volt, the undervoltage protection of the 24 volt heater has triggered.

- **Measure voltage supply (CI 30)**

Disconnect the 16-pin connector S1 / B1 and measure the voltage applied at connector B1 between chamber 1 (cable 2.5<sup>2</sup> rt) and chamber 10 (cable 2.5<sup>2</sup> br).

If it differs from the battery voltage, check the fuses, the supply cables, the negative connection and the positive support point on the battery for voltage drop (corrosion / interruption).

- **Check switch-on signal**

Disconnect the 16-pin connector S1 / B1 and then switch on the heater at the control unit.

Check whether voltage is applied in the connector B1 between chamber 4 (cable 0.5<sup>2</sup> ge) and chamber 10 (cable 2.5<sup>2</sup> br).

If no voltage is measured, then check the supply cable (cable 0.5<sup>2</sup> ge), the 5 A fuse (item 2.7.1 in the circuit diagram) and the control unit.

- **Check control unit**

Disconnect the connector at the control unit, jumper between the red 0.5<sup>2</sup> cable and the yellow 0.5<sup>2</sup> cable.

If a voltage is measured in connector B1 between chamber 4 (cable 0.5<sup>2</sup> ge) and chamber 10 (cable 2.5<sup>2</sup> br), then replace the control unit.



## 4 Troubleshooting

### Overview of the individual test equipment and control units

The electronic control box can store up to 5 errors, which can be read out and displayed. The following test equipment can be used to query the fault memory in the control box and if necessary to delete the control box locking:

Test equipment	Order No.:
• Testing device for the control device	22 1509 89 00 00
• Diagnostic unit additionally required:	22 1529 89 00 00
Adapter cable	22 1000 31 86 00
• EDiTH Customer service program	22 1532 89 00 00
– Basic adapter with software	22 1532 89 00 00
Also required:	
<i>AIRTRONIC extension</i>	22 1537 89 00 00
– ISO adapter	22 1524 89 00 00
Also required:	
Adapter cable	22 1000 31 86 00

If a diagnostics cable is connected, the following control units can also be used:

Control units	Order No.:
• Module timer	22 1000 30 34 00
• TP5 radio remote control	22 1000 32 01 00
• EasyStart T	22 1000 32 88 00
• EasyStart R+	22 1000 32 80 00

#### Please note!

If the fault memory cannot be read out, check the diagnostics cable for correct laying and possible damage.

### Locking the control box

The control box is locked if the following faults occur:

- **Too many attempted starts**  
If the heater carries out several failed start attempts in succession – fault code 050 is displayed → the control box is locked.
- **Overheating**  
If the heater overheats several times in succession – fault code 015 is displayed → the control box is locked.

### Cancel the control box lock

Cancellation of the control box lock depends on the appropriate test equipment and is described on pages 13 – 19.

## 4 Troubleshooting

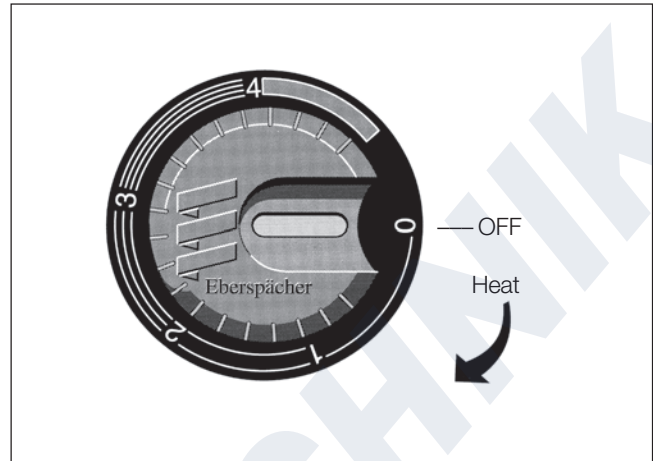
### Check control unit

Order No. for the testing device – control unit –  
22 1509 89 00 00

#### Before the test

Connect the correct operating voltage (12 or 24 volt) to the testing device, with plus at the red connector socket and minus at the blue connector socket.

- Disconnect socket from the control unit.
- Connect cable loom from testing device with the control unit.
- Set the rotary knob of the control unit to „Heat“, the corresponding red LED in the testing device must light up.
- Set control unit to „0“, then press the „LED – red“ button, the red control lamp in the control unit must light up.
- Set control unit to „Heat“, then press the „LED – green“ button, corresponding red control lamp in the testing device and the green control lamp in the control unit must light up.



#### Caution!

#### Operating voltage safety information!

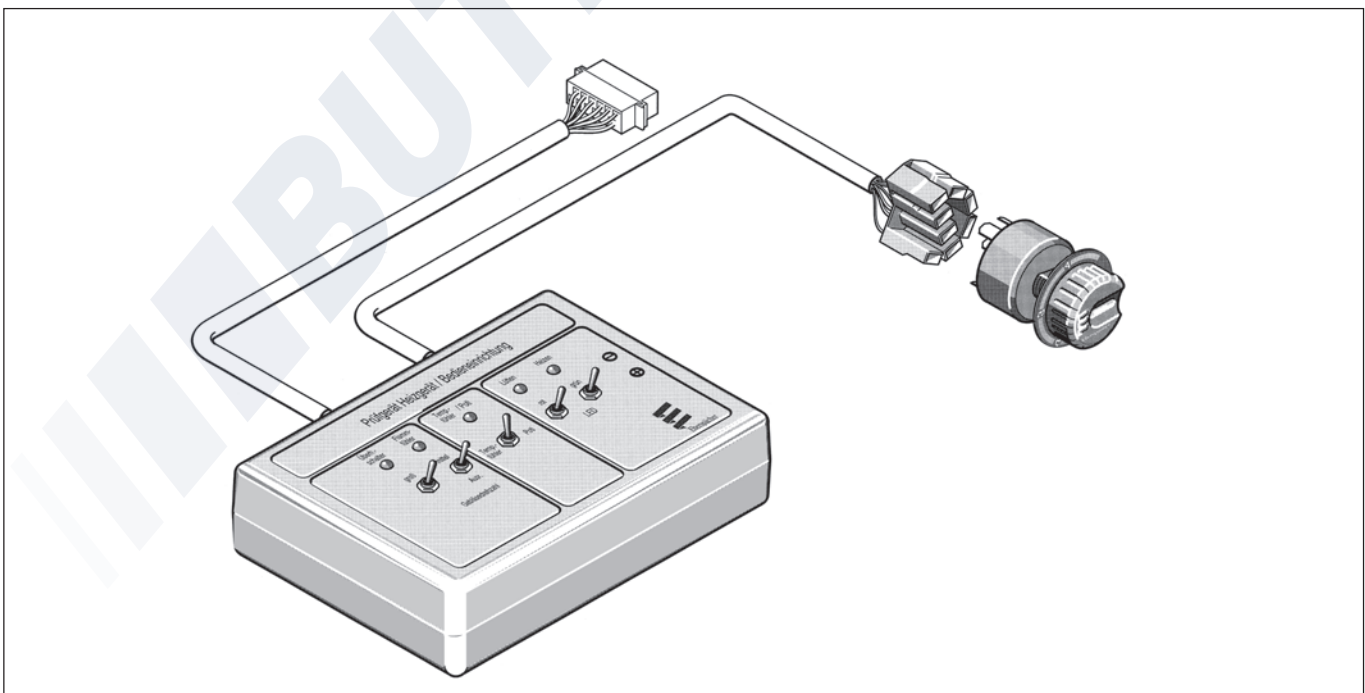
Ensure you use the correct operating voltage, otherwise the connected components can be severely damaged.

#### Check the setpoint potentiometer of the control unit

Set the “Temperature sensor / Potentiometer” switch in the testing device to the “Potentiometer” setting and slowly turn the rotary knob of the control unit.

The green LED – temperature sensor / potentiometer must light up continuously.

In case of a fault, replace the control unit.



# 4 Troubleshooting

## Fault diagnosis using the diagnostic unit

Diagnostic unit  
Order No. 22 1529 89 00 00

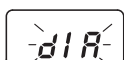
An adapter cable is required to connect the diagnostic unit.

Adapter cable  
Order No. 22 1000 31 86 00

### Connect diagnostic unit

- Disconnect the 16-pin connector of the heater's cable harness and connect the adapter cable.
- The connect the diagnostic unit to the adapter cable.

After the adapter cable and diagnostic unit have been connected the following appears in the display.



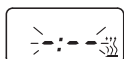
### Please note!

It is very important to always install in the given order. Fault code, fault description, cause / remedial action are described on Pages 20 to 24.

### Enquire fault memory

The current fault is displayed as „AF“ and a 2-digit number and is always written in the memory location F1. Preceding faults are moved to the memory locations F2 – F5, if necessary the content of F5 is overwritten.

- Press button [D] -> the heater is switched on. Display is as follows:



- After 8 sec. the following appears in the display:



or

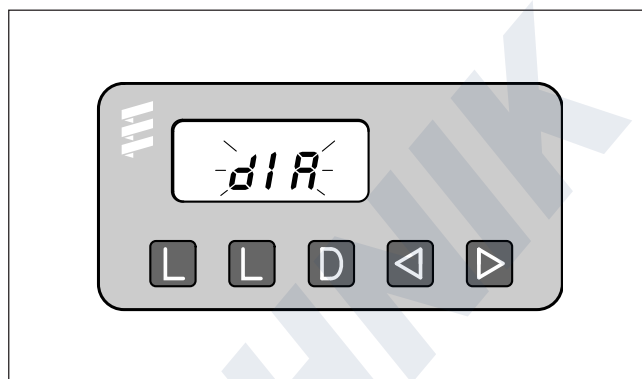


or



Possible causes:

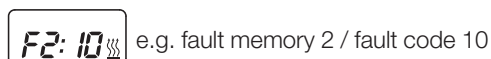
- Adapter cable is not properly connected.
- Control box is defective or not diagnosable (not a universal control box).



- [L] button – Delete fault memory
- [L] button – Delete fault memory
- [D] button – Switch heater on / off, request diagnosis
- [◀] button – Reverse, fault F5 – F1, AF
- [▶] button – Forward, fault AF, F1 – F5

### Display of the fault memory F1 – F5 or F5 – F1

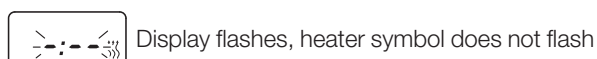
- The heater is switched on.
- Press the buttons [◀] and [▶] once or several times to display the individual fault memory positions, in ascending or descending order. Display is as follows:



Only the fault memory positions with an error code assigned to them are displayed.

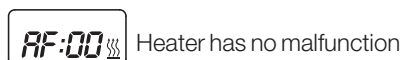
### Delete fault memory

- Correct cause of fault.
- Press button [D] -> the heater is switched on.
- Press both [L] keys simultaneously until the following appears in the display:



If all the fault memory positions have been deleted the most recent fault is displayed. The most recent fault is not reset to 00 until the heater is restarted.

Display is as follows:



If a new, most recent fault exists it is displayed.

## 4 Troubleshooting

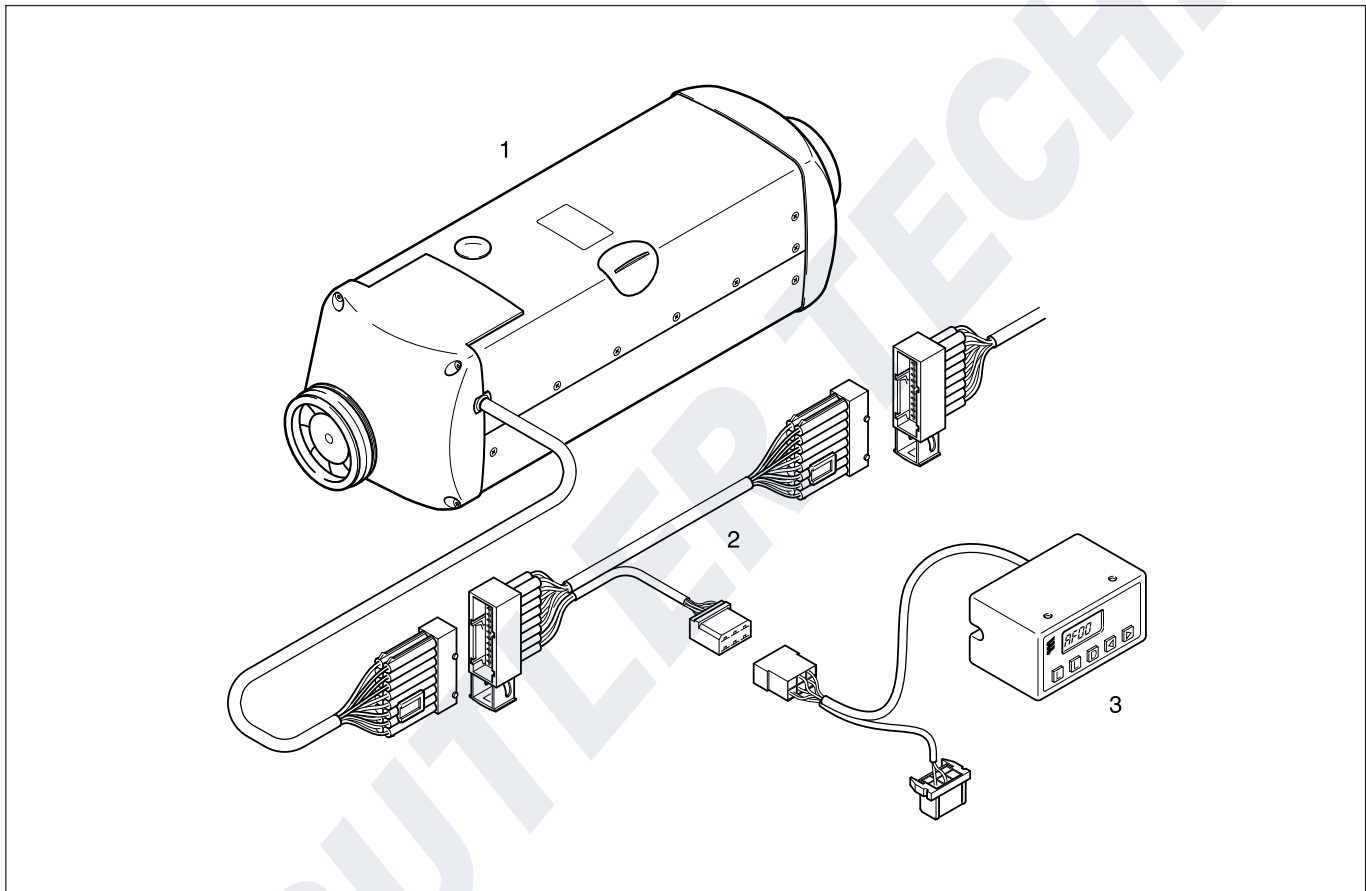
### Cancel the control box lock

- Delete the fault memory as described and switch off the heater using the **[D]** button.
- The control box lock is cancelled and the diagnosis closed.  
Display is as follows:



#### Please note!

Not only the defective component, but also a defective current circuit results in a fault being displayed.



- 1 Heater
- 2 Adapter cable
- 3 Diagnostic unit

## 4 Troubleshooting

### EDiTH customer service program with ISO adapter

Order No. 22 1524 89 00 00

An additional adapter cable is required to connect the ISO adapter (Order No.: 22 1000 31 86 00).

#### Please note!

- It is very important to always install in the given order.
- Not only the defective component, but also a defective current circuit results in a fault being displayed.
- Fault code, fault description, cause / remedial action are described on Pages 20 – 24.
- The scope of supply does not include the EDiTH customer service software; this must be downloaded from the service portal.

#### Connect ISO adapter

- Disconnect the heater's cable harness.
- Connect the adapter cable to the cable harness – as shown in the sketch.
- Connect the adapter cable to the ISO adapter.
- Connect the SUB-D connection cable with the PC and the ISO adapter.

#### Installing the software on your PC

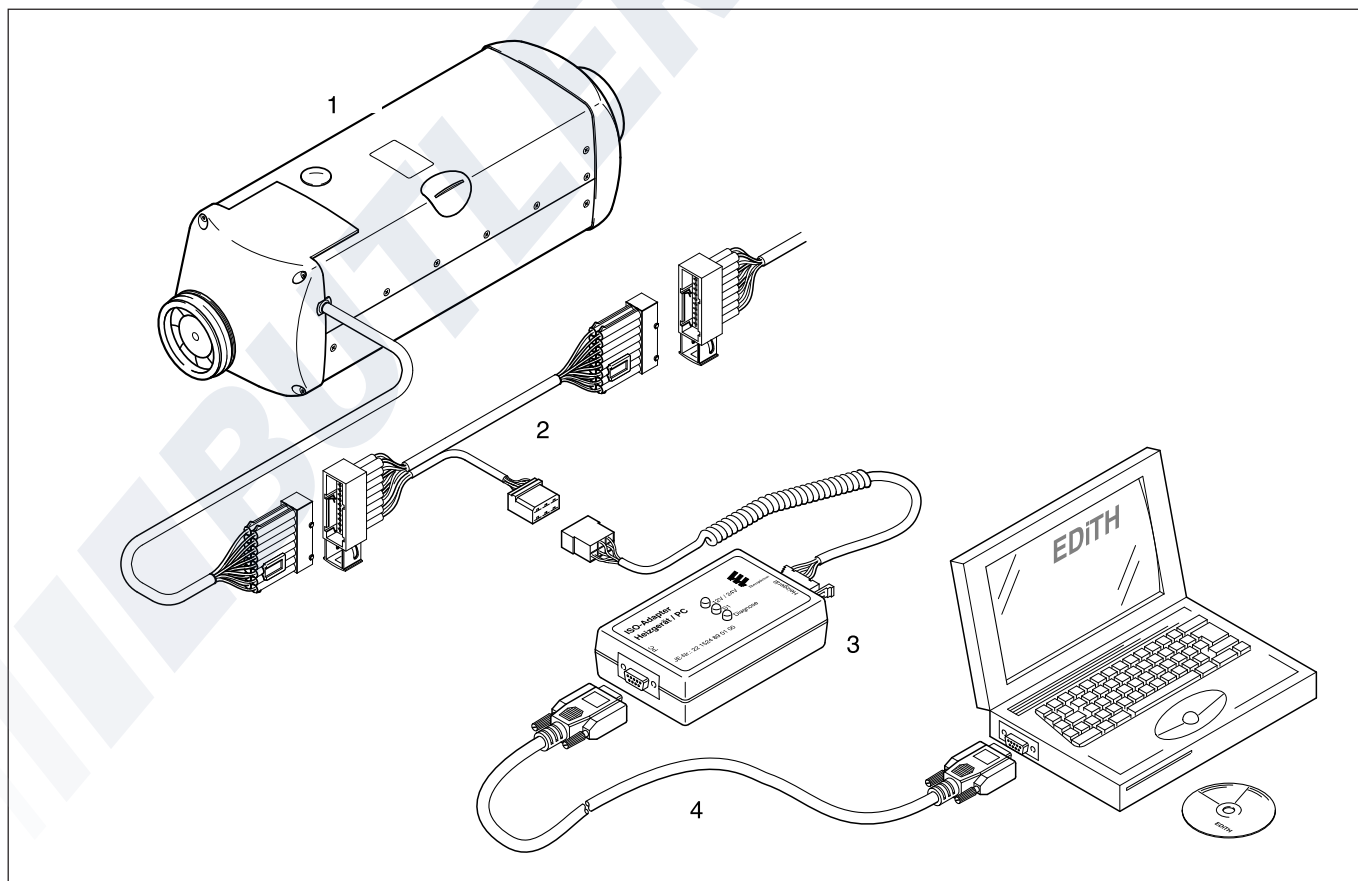
- Double-click the „setup.exe“ file to start the installation and following the SETUP program instructions.

#### Enquire / delete fault memory F1 – F5 or cancel the control box lock

- Start the software on your PC:
  - On the desktop
  - > Double click the „EDiTH“ icon.
  - Select heater type.
  - Press the „GO“ button.
- Delete fault memory or cancel the control box lock:
  - Press the „Delete fault memory“ button
  - > the stored faults F1 – F5 are deleted and the control box is unlocked.

#### Quit diagnosis

- Press the „STOP“ button –> fault memory enquiry is ended.



1 Heater  
2 Adapter cable

3 ISO adapter  
4 SUB-D connection cable

## 4 Troubleshooting

### EDiTH customer service program with basic adapter

EDiTH basic adapter  
(Order No.: 22 1532 89 00 00)

An additional extension is required to check the control box  
(Order No.: 22 1537 89 00 00).

#### Please note!

- It is important to always follow the precise connection order as given below!
- The Hall sensor integrated in the control box can only be properly tested in the control box is correctly placed on the extension.
- Only push or pull on the connectors, not on the cables!
- Only use the network cable and RS232 cable with snap ferrites included in the scope of supply. Use original accessories with snap ferrites only to connect the test equipment.
- Not only the defective component, but also a defective current circuit results in a fault being displayed.
- Fault code, fault description, cause / remedial action are described on pages 20 – 24.

#### **Caution!** **Magnetic field!**

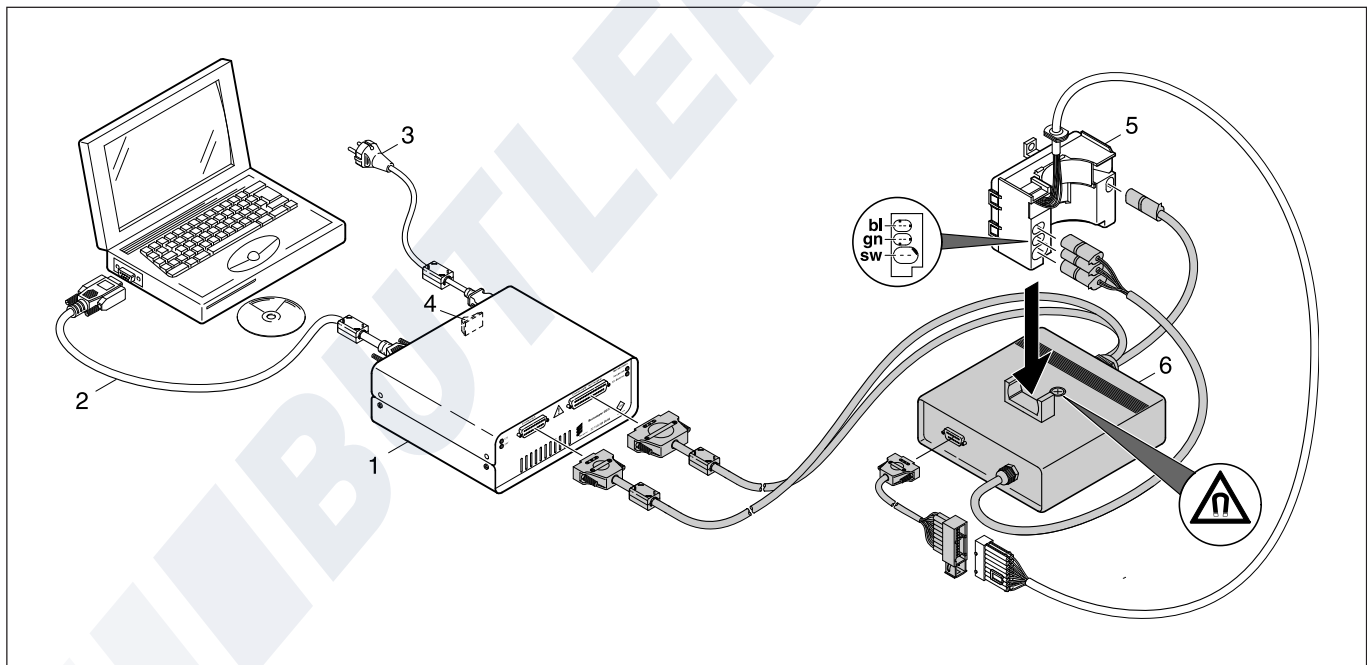
During the test operation a magnetic field develops at the adapter. Therefore, do not place any objects such as data media, credit cards, etc. on the adapter or in its immediate vicinity.

#### **Connect basic adapter**

- Start computer and wait until the system has successfully booted.
- Start PC software.
- Insert the unit connector of the mains cable in the basic adapter (A) and connect the mains connection (C) to the mains.
- Connect the SUB-D connection cable (B) with the PC and basic adapter (A).

#### **Connect extension and test control box**

- Connect the extension to the basic adapter (A).
  - Connect the control box (E) to the extension and the adapter (F).
  - Switch on the basic adapter (A) at the mains switch (D).
  - Select the control box version and operating voltage (12 V / 24 V) in the PC software.
  - Start the control box test with the PC software.
- A more detailed description of how to operate the basic adapters (A) is given in the EDiTH online help.



- 1 Basic adapter
- 2 SUB-D connection cable
- 3 Mains connection
- 4 Mains switch
- 5 Control box
- 6 Adapter

#### **Cable colours**

- sw = black
- gn = green
- bl = blue



## 4 Troubleshooting

### Module timer

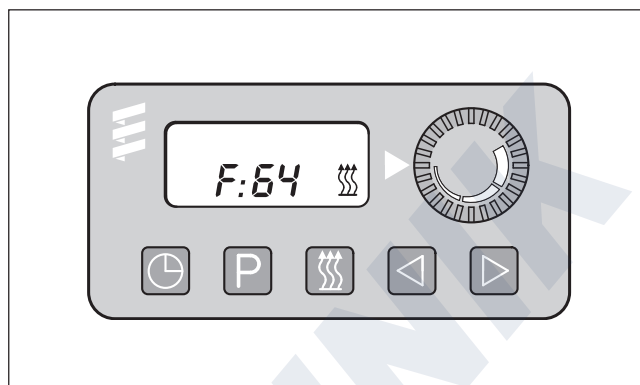
(Order No.: 22 1000 30 34 00)

The current fault is displayed as “AF” and is always written in memory position F1.

Preceding faults are moved to the memory locations F2 – F5, if necessary the contents of memory position F5 is overwritten.

#### Please note!

- Not only the defective component, but also a defective current circuit results in a fault being displayed.
- Fault code, fault description, cause / remedial action are described on pages 20 – 24.



- 🕒 –Time
- P –Preset
- 🔥 –Heat
- ⏪ –Reverse
- ⏩ –Forward

### Query fault memory F1 – F5

Condition:

The heater is switched off.

- Press 🔥 key → the heater is switched on.
- Press 🕒 key and keep pressed, then press P key within 2 seconds.  
Display is as follows:  
AF = current fault  
3 digit number = fault code  
🔥 flashes.
- Press ⏪ key once or several times, fault memory positions F1 – F5 are displayed.

### Cancel the control box lock and simultaneously delete the fault memory

Condition:

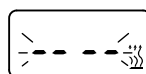
An electrical connection exists from terminal 15 (ignition) to the module timer, 12-pin connector, chamber 10.

- Press 🔥 key  
Display is as follows:  
the current fault F15 or F50.
- Press button 🕒, keep it depressed and then press button P within 2 seconds.

The module timer is now in the “Query fault memory” program.

- Switch off ignition (terminal 15).
- Simultaneously press button 🕒 and button P, in addition, switch on the ignition (terminal 15) and wait until the following appears in the display.

After ignition “ON” the following appears in the display:



Display flashes,  
Heater symbol does not flash

- Switch the heater off and on → the control box is unlocked, the heater restarts.

After switching the heater off and on and renewed query of the fault memory, the following appears in the display:



Display flashes,  
Heater symbol does not flash

## 4 Troubleshooting

### Fault diagnosis using the radio remote control TP5

TP5 radio remote control  
Order No. 22 1000 32 01 00

If faults occur while the heater is running, they are displayed with „Err“ after the mobile unit is activated.

In order to carry out the diagnosis, the diagnosis cable (blue / white) must be connected to the stationary unit and the heater cable harness. To this end, please refer to and follow the circuit diagram for the TP5 radio remote control and the heater.

The current fault “F0” is displayed. The stored faults “F1” to “F5” can be queried. The current fault is displayed.

#### Please note!

- In order to carry out the diagnosis, the diagnostics cable (bl/ge at heater connector, bl/ws at cable harness connector) must be connected to the stationary unit and the heater cable harness. To this end, please refer to and follow the circuit diagram for the radio remote control TP5 and the heater.
- If the diagnostics cable is not connected, the “Diagnosis” menu is blocked.
- Not only the defective component, but also a defective current circuit results in a fault being displayed.
- Fault code, fault description, cause / remedial action are described on Pages 20 – 24.

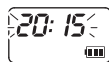


- ⏻ Button to activate / deactivate the mobile unit
- ▲ Button for forward time setting
- ▼ Button for backward time setting
- P Button for activating the possible settings
- 🔥 Button for switching heat / ventilate ON / OFF; Activate / deactivate preselected time

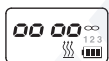
### Enquire / delete fault memory

Use the ⏻ button to activate the mobile unit.  
Switch on the heater with the 🔥 button.

Press the P button twice to open the Time setting menu – the time flashes in the display.



Press the P button for approx. 2 sec – until the following appears in the display:



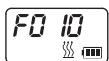
Press 🔥 button.

Press P button.

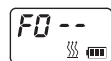
Press 🔥 button twice.

Press P button.

Malfunction in heater:



Heater has no malfunction:



Use the ▲ and ▼ buttons to call up the fault memory positions 1 to 5.



### Delete fault memory / cancel the control box lock

Use the P button to delete the fault memory.



To confirm, press the 🔥 button for approx. 2 sec until the following appears in the display:



## 4 Troubleshooting

### EasyStart R+ radio remote control

(Order No.: 22 1000 32 80 00)

### EasyStart T timer

(Order No.: 22 1000 32 88 00)

If faults occur while the heater is running, they are displayed with "Err" after the mobile unit or timer is activated.

The current fault is displayed. The stored faults "F1" to "F5" can be queried.

#### Please note!

- In order to carry out the diagnosis, the diagnostics cable (bl/ws at heater connector, bl/ws at cable harness connector) must be connected to the stationary unit and the heater cable harness. To this end, please refer to and follow the circuit diagram for the radio remote control and the heater.
- If the diagnostics cable is not connected, the "Diagnosis" menu is blocked.
- Not only the defective component, but also a defective current circuit results in a fault being displayed.
- Fault code, fault description, cause / remedial action are described on Pages 20 – 24.



- Back control key
- Next control key
- ON / OFF activation key mobile unit / timer
- OK key (symbol selection / confirm input)

### Enquire / delete fault memory

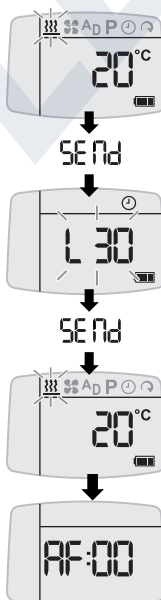
Activate mobile part / timer  
(see EasyStart R+ / EasyStart T operating instructions)

Confirm symbol with .

Heater is switched on.

Confirm operating time with .

Briefly press and simultaneously.

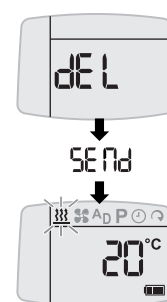


### The following actions are possible

- Call up fault memory.  
Call up the fault memory positions F1 – F5 with or .
  - Call up fault memory again.  
Briefly press and simultaneously.
  - Delete fault memory (display dEL)  
Press .
- Press again.

The diagnosis is completed.

Switch off heater.



## 4 Troubleshooting

Fault code Display	Fault description	Comments • Remedial action
000	No faults	—
004	Warning: Short circuit in control box, fresh air output	<ul style="list-style-type: none"> <li>• Disconnect connector S1 / B1 at the heater and at the connector B1, PIN 16 check the cable up to the fresh air fan relay for short circuit to negative, if ok → replace control box, see page 28.</li> </ul>
005	Warning: Short circuit in control box, car alarm output	<ul style="list-style-type: none"> <li>• Disconnect connector S1 / B1 at the heater and at the connector B1, PIN 15 check the cable up to the relay isolating switch or the car alarm input for short circuit to negative, if ok → replace control box, see page 28.</li> </ul>
009	ADR shutdown	ADR shutdown due to signal change from (+) to (-) at connector S1, PIN 13 (D+) or plus signal at connector S1, PIN 14 (HA+).
010	Overvoltage cutout	<p>Overvoltage applied to control box for at least 20 seconds without interruption – heater not working.</p> <ul style="list-style-type: none"> <li>• Disconnect connector S1 / B1 at the heater, start the vehicle's engine, measure the voltage at connector B1 between PIN 1 (cable 2.5<sup>2</sup> rt) and PIN 10 (cable 2.5<sup>2</sup> br).</li> </ul> <p><i>AIRTRONIC L 12 volt</i> – voltage &gt;16 volt → check generator regulator.  <i>AIRTRONIC L 24 volt</i> – voltage &gt;32 volt → check generator regulator.</p>
011	Undervoltage cutout	<p>Undervoltage applied to control box for at least 20 seconds without interruption – heater not working.</p> <ul style="list-style-type: none"> <li>• Disconnect connector S1 / B1 at the heater, the vehicle's engine is switched off, measure the voltage at connector B1 between PIN 1 (cable 2.5<sup>2</sup> rt) and PIN 10 (cable 2.5<sup>2</sup> br).</li> </ul> <p>The measured value and the voltage at the battery should be the same. In case of a voltage drop, check the fuses, the supply cables, the negative connections and the positive support point on the battery for corrosion and correct contact.</p>
012	Overheating at the overheating sensor (combination sensor)	<p>Temperature of the overheating sensor too high.</p> <ul style="list-style-type: none"> <li>• Check hot air pipes for blockage → remove blockage.</li> <li>• Sum of the component ratings of air-conducting parts is too large → Check air system, if necessary re-lay – for component ratings, please refer to additional parts catalogue.</li> <li>• Check overheating sensor, for diagram and table of values please refer to page 30, if ok → measure fuel quantity, see page 33.</li> </ul>
013	Overheating at the flame sensor (combination sensor)	<p>Flame sensor signals temperature at heat exchanger is too high.</p> <ul style="list-style-type: none"> <li>• Check hot air pipes for blockage → remove blockage.</li> <li>• Sum of the component ratings of air-conducting parts is too large → Check air system, if necessary re-lay – for component ratings, please refer to additional parts catalogue.</li> <li>• Check flame sensor, if ok → check overheating sensor, if overheating sensor defective → replace combination sensor, if overheating sensor ok → measure fuel quantity, see page 33, for diagram and table of values for flame sensor and overheating sensor please refer to page 30.</li> </ul>
014	Temperature difference between flame sensor and overheating sensor too large	<p>Temperature difference between flame sensor and overheating sensor too large</p> <ul style="list-style-type: none"> <li>• Check hot air pipes for blockage → remove blockage.</li> <li>• Sum of the component ratings of air-conducting parts is too large → Check air system, if necessary re-lay – for component ratings, please refer to additional parts catalogue.</li> <li>• Check flame sensor, if ok → check overheating sensor, if overheating sensor defective → replace combination sensor, if overheating sensor ok → measure fuel quantity, see page 33, if fuel quantity ok → replace control box, see page 28. For diagram and table of values for flame sensor and overheating sensor see page 30.</li> </ul>



## 4 Troubleshooting

<b>Fault code Display</b>	<b>Fault description</b>	<b>Comments</b> <b>• Remedial action</b>
<b>015</b>	Operating lock-out	The fault code 015 is displayed, if the heater was switched back on after the fault code display 017. The hardware threshold value for the overheating sensor has been exceeded → the control box is locked. <ul style="list-style-type: none"><li>• Switch off control box, see page 28.</li></ul>
<b>017</b>	Overheating	The hardware threshold value for the overheating sensor has been exceeded, because the control box failed to recognise the fault code 012 or 013 → the control box is locked. If the heater is switched on again, the fault code 015 is displayed. <ul style="list-style-type: none"><li>• Switch off control box, see page 28.</li></ul>
<b>020</b>	Glow plug – interruption	<ul style="list-style-type: none"><li>• Check glow plug is working and for continuity. 12 volt heater – approx. <math>0.6 \Omega \pm 0.04 \Omega</math> (heat resistance) 24 volt heater – approx. <math>2 \Omega \pm 0.2 \Omega</math> (heat resistance)</li><li>• If the values of the continuity test and functional test are ok → check the glow plug's lead harness for damage and continuity, if ok → replace control box, see page 28.</li></ul>
<b>021</b>	Glow plug output (-), overload or earth short circuit	<ul style="list-style-type: none"><li>• Check glow plug is working and for continuity. 12 volt heater – approx. <math>0.6 \Omega \pm 0.04 \Omega</math> (heat resistance) 24 volt heater – approx. <math>2 \Omega \pm 0.2 \Omega</math> (heat resistance)</li><li>• If the values of the continuity test and functional test are ok → check the glow plug's lead harness for damage and continuity, if ok → replace control box, see page 28.</li></ul>
<b>022</b>	Glow plug, output (+), short circuit after $U_B$ (battery voltage)	<ul style="list-style-type: none"><li>• Check glow plug lead harness for correct laying and damage, if ok → check lead harness for continuity, if ok → replace control box, see page 28.</li></ul>
<b>025</b>	Diagnostics cable bl/ws – short circuit – after $U_B$ (battery voltage)	This fault code cannot be displayed as the diagnostics cable is probably defective. <ul style="list-style-type: none"><li>• Check diagnostics cable for correct laying and possible damage..</li></ul>
<b>030</b>	EMK blower motor outside the permissible range	Impeller or combustion air blower motor blocked (frozen, soiled, sluggish, lead harness grinds against shaft end ...) <ul style="list-style-type: none"><li>• Remove blockage.</li><li>• Check wiring for short circuit.</li><li>• Speed measurement of the combustion air blower motor:<ul style="list-style-type: none"><li>– Dismantle combustion air fan, see page 31.</li><li>– Heater 12 V: carry out test with 11.3 volt <math>\pm 0.1</math> volt.</li><li>– Heater 24 V: carry out test with 23.6 volt <math>\pm 0.1</math> volt.</li></ul>Remove the connector from the control box and apply voltage. Apply marking (white paint) to the impeller and measure the speed using a non-contact r.p.m. counter: If the measured speed in the "high" heating level is outside the range<ul style="list-style-type: none"><li>– Heater 12 V: <math>n = 4650\text{--}7000</math> rpm,</li><li>– Heater 24 V: <math>n = 4650\text{--}6500</math> rpm,</li></ul>then replace the combustion air fan, see page 31. If the measured speed is within the range, then replace the control box, see page 28.</li></ul>
<b>031</b>	Blower motor interruption	<ul style="list-style-type: none"><li>• Check that the lead harness of the blower motor has been correctly laid and for damage, if ok → remove lead harness at control box and check for continuity, if ok → replace control box, see page 28.</li></ul>

## 4 Troubleshooting

Fault code Display	Fault description	Comments • Remedial action
032	Blower motor – earth short circuit <div style="border: 1px solid black; padding: 2px; width: fit-content; margin: 5px 0;"><b>Please note!</b></div> In the 12 volt heater, carry out the functional check with max. 11.3 volt. In the 24 volt heater, carry out the functional check with max. 23.6 volt. The component is destroyed if the voltage values are exceeded. <b>Ensure the power pack has adequate short-circuit resistance – min. 20 A.</b>	<ul style="list-style-type: none"> <li>Carry out functional test on the blower motor, to do this remove the connector from the control box. Apply a voltage of 11.3 v or 23.6 V <math>\pm 0.1</math> v to the blower motor and after 40 sec measure the current intensity. Heater 12 volt: current intensity &lt; 9 A or heater 24 volt: current intensity &lt; 4 A – blower motor ok → replace control box, see page 28. Heater 12 volt: current intensity &gt; 9 A or heater 24 volt: current intensity &gt; 4 A → replace combustion air fan, see page 31.</li> <li>Check wiring for short circuit.</li> </ul>
034	Blower motor outlet (+), short circuit after U <sub>B</sub> (battery voltage)	<ul style="list-style-type: none"> <li>Check that the lead harness of the blower motor has been correctly laid and check for damage, if ok → remove lead harness at control box and check for continuity, if ok → replace control box, see page 28.</li> </ul>
047	Metering pump short circuit or overload	<ul style="list-style-type: none"> <li>Remove connector from the metering pump, if the fault code 048 (interruption) is displayed the metering pump is defective → replace metering pump.</li> <li>If the fault code 047 continues to be displayed, disconnect connector S1 / B1 at the heater, and at the connector B1, PIN 5 check the cable 12 gn / rt up to the metering pump for short circuit to negative (PIN 10), if ok → replace control box, see page 28.</li> </ul>
048	Metering pump interruption	<ul style="list-style-type: none"> <li>Remove connector from the metering pump and measure the resistance value of the metering pump (12 V = 9,5 <math>\Omega</math> <math>\pm 0.5</math> <math>\Omega</math> / 24 V = 36 <math>\Omega</math> <math>\pm 1.8</math> <math>\Omega</math>), if resistance value ok → reconnect cable loom to the metering pump.</li> <li>Disconnect connector S1 / B1 at the heater and measure the resistance value between PIN 5 and PIN 10, if ok → replace control box, see page 28.</li> </ul>
049	Metering pump outlet (+), short circuit after U <sub>B</sub> (battery voltage)	<ul style="list-style-type: none"> <li>Check that the lead harness of the metering pump has been correctly laid and check for damage, if ok → remove lead harness and check for continuity, if ok → replace control box, see Page 28.</li> </ul>
050	Too many failed start attempts (operating lock-out)	The control box locks after too many failed start attempts (max. 255 start attempts). <ul style="list-style-type: none"> <li>Unlock the control box by deleting the fault memory using the EDiTH customer service program, diagnostic unit or various control units, see page 13 – 19.</li> </ul>
051	Flame detected when switching on	If, after being switched on, the resistance value of the flame sensor is 1274 $\Omega$ (> 70 °C) the heater's fan runs for approx. 15 min to cool down, if the resistance does not fall below the aforementioned value within 15 min the heater is switched off. <ul style="list-style-type: none"> <li>Check the flame sensor, for diagram and table of values please refer to page 30, if ok → replace control box, see page 28.</li> </ul>
052	Safety time exceeded	No flame detected during the start phase. <ul style="list-style-type: none"> <li>Check exhaust and combustion air system.</li> <li>Check fuel supply / measure fuel quantity, see page 33.</li> <li>Check spark plug (see fault code 020 and 021).</li> <li>Check flame sensor, for diagram and table of values please refer to page 30, if ok → replace control box, see page 28.</li> </ul>
053 054 055 056	Flame cutout in the „POWER“ control stage „HIGH“ control stage „MEDIUM“ control stage „LOW“ control stage	The heater has ignited (flame detected) and signals flame cutout during a power stage. <ul style="list-style-type: none"> <li>Check exhaust and combustion air system.</li> <li>Check fuel supply / measure fuel quantity, see page 33.</li> <li>Check flame sensor, for diagram and table of values please refer to page 30, if ok → replace control box, see page 28.</li> </ul>

## 4 Troubleshooting



Fault code Display	Fault description	Comments • Remedial action
060	External room temperature sensor – interruption	<ul style="list-style-type: none"> <li>• Disconnect the plug-in connection of the external room temperature sensor and measure the resistance value, see page 9 for diagram and values table, if temperature sensor ok → reconnect plug-in connection.</li> <li>• Disconnect connector S1 / B1 at the heater and measure the resistance value in connector housing B1 between PIN 6 and PIN 12. If an interruption exists the ohmic value between PIN 6 and PIN 12 &gt; 3000 Ω . If resistance value ok → replace control box, see page 28.</li> </ul>
061	External room temperature sensor – short circuit	<ul style="list-style-type: none"> <li>• Disconnect plug-in connection of the external room temperature sensor, if error code 060 is displayed → check external room temperature sensor, see page 9 for diagram and values table. If external room temperature sensor ok → check the connection cables 0.5<sup>2</sup> gr and 0.5<sup>2</sup> br/ws for short circuit, if ok → reconnect plug-in connection.</li> <li>• Disconnect connector S1 / B1 at the heater and measure the resistance value in connector housing B1 between PIN 6 and PIN 12. If a short circuit exists the ohmic value between PIN 6 and PIN 12 &lt; 800 Ω. If the error 061 continues to be displayed, → replace control box, see page 28.</li> </ul>
062	Control unit – interruption	<ul style="list-style-type: none"> <li>• Remove connector at the control unit and measure the resistance value of the setpoint potentiometer, for connector pins see page 36 ff. If the resistance value is ok → reconnect connector at the control unit.</li> <li>• Disconnect connector S1 / B1 at the heater and measure the resistance value between PIN 6 and PIN 7 in the connector housing B1, if resistance value is ok → replace control box, see page 28. Resistance value in case of interruption between PIN 6 and PIN 7 &gt; 3000 Ω. Normal value: 1750 Ω ±30 Ω – 2180 Ω ±80 Ω.</li> </ul>
063	Control unit – short circuit  Fault recognition only works in heating mode. If, on the other hand, the short circuit has already occurred and then the heater is switched on, „Ventilation“ is active (not a fault code).	<ul style="list-style-type: none"> <li>• If „Ventilate“ switch is installed, disconnect it and check it is working. If ok → disconnect the connector at the control unit, if error code 062 is displayed, replace control unit.</li> <li>• If control unit ok → check connection cables 0.5<sup>2</sup> gr / rt and 0.5<sup>2</sup> br / ws for short circuit, if ok → reconnect connector at control unit.</li> <li>• Disconnect connector S1 / B1 at the heater, if the error 063 continues to be displayed → replace control box, see Page 28. Resistance value in case of short circuit between PIN 6 and PIN 7 &lt; 800 Ω. Normal values: 1750 Ω ±30 Ω – 2180 Ω ±80 Ω.</li> </ul>
064	Flame sensor (combination sensor) – interruption	<ul style="list-style-type: none"> <li>• Dismantle control box and disconnect green connector from control box. Check flame sensor, for diagram and table of values please refer to page 30, if flame sensor ok → replace control box, see page 28. Resistance value in case of interruption &gt; 3000 Ω.</li> </ul>
065	Flame sensor (combination sensor) – short circuit	<ul style="list-style-type: none"> <li>• Dismantle control box, remove green connector from control box, if error 064 is displayed → replace combination sensor, see page 29. If error 065 continues to be displayed → replace control box, see page 28. Resistance value in case of short circuit &lt; 500 Ω, see also diagram on page 30.</li> </ul>
071	Overheating sensor – interruption	<ul style="list-style-type: none"> <li>• Dismantle control box, disconnect blue and green connectors from control box. Measure resistance value at the blue connector PIN 1 (cable 0.5<sup>2</sup> bl) and at the green connector PIN 2 (cable 0.5<sup>2</sup> br / ws), if ok → replace control box, see page 28. Resistance value in case of interruption &gt;700 kΩ, see also diagram on page 30.</li> </ul>
072	Overheating sensor – short circuit	<ul style="list-style-type: none"> <li>• Dismantle control box, remove blue connector from control box, if error 071 is displayed → replace combination sensor, see Page 27. If error 072 continues to be displayed → replace control box, see page 28. Resistance value in case of short circuit &lt; 120 Ω, see also diagram on page 30.</li> </ul>
074	Control box defective	<ul style="list-style-type: none"> <li>• Overheating threshold value is not detected by control box → replace control box, see page 28.</li> </ul>

## 4 Troubleshooting

Fault code Display	Fault description	Comments • Remedial action
090	Control box defective (internal fault)	Replace control box, see page 28.
092	Control box defective (ROM error)	Replace control box, see page 28.
093	Control box defective	Replace control box, see page 28.
094	Control box defective (EEPROM error)	Replace control box, see page 28
095	Control box defective	Replace control box, see page 28.
096	Internal temperature sensor defective	Replace control box, see page 28 or use external room temperature sensor.
097	Control box defective	Replace control box, see page 28.
098	Control box defective	Replace control box, see page 28.
099	Too many resets in sequence  Transistor error in control box	<ul style="list-style-type: none"><li>• Voltage short-term &lt; 5 – 6 volt (for 12 volt) or &lt; 7 – 8 volt (for 24 volt).</li><li>• In case of a voltage drop, check the fuses, the supply cables, the negative connections and the positive support point on the battery for corrosion and correct contact.</li><li>• Test control box with testing device, if ok → check lead harness of the external components has been correctly laid and check for damage, if ok → check lead harness for continuity, if ok → replace control box, see page 28.</li></ul>



## 5 Repair instructions

### Repair instructions

The permitted repair work to the heater is described in the „Repair Instructions“ chapter. If extensive repairs are necessary, it makes sense to dismantle the heater.

The heater is assembled in the reverse order, if applicable not additional instructions.

**Please note!**

After completing all the work on the heater, you must carry out a functional check.

### Always observe the following safety instructions before working on the heater



**Danger!**

**Risk of injury, burns and poisoning!**

- Always switch off the heater beforehand and leave it to cool.
- Disconnect the battery.
- The heater must not be operated in closed rooms such as garages or workshops.

Exception:

Exhaust suction available directly at the entry to the exhaust pipe.



**Caution!**

- The seals of dismantled components must be renewed.
- During repair work, check all components for damage and if necessary replace.
- Check connector contacts, plug-in connections and cables for corrosion and damage and if necessary repair.
- Only ever use Eberspächer spare parts if replacements are necessary.
- After working on the coolant circuit the level of the coolant must be checked and if necessary topped up according to the vehicle manufacturer's instructions. The coolant circuit must then be vented.
- Operation or the after running of the heater may only be stopped in an emergency (see „EMERGENCY OFF“ page 7) by interrupting the battery current (risk of heater overheating).

### Special tool

#### AMP release tool

The AMP release tool is used to unclip push-on sleeves from a connector housing.

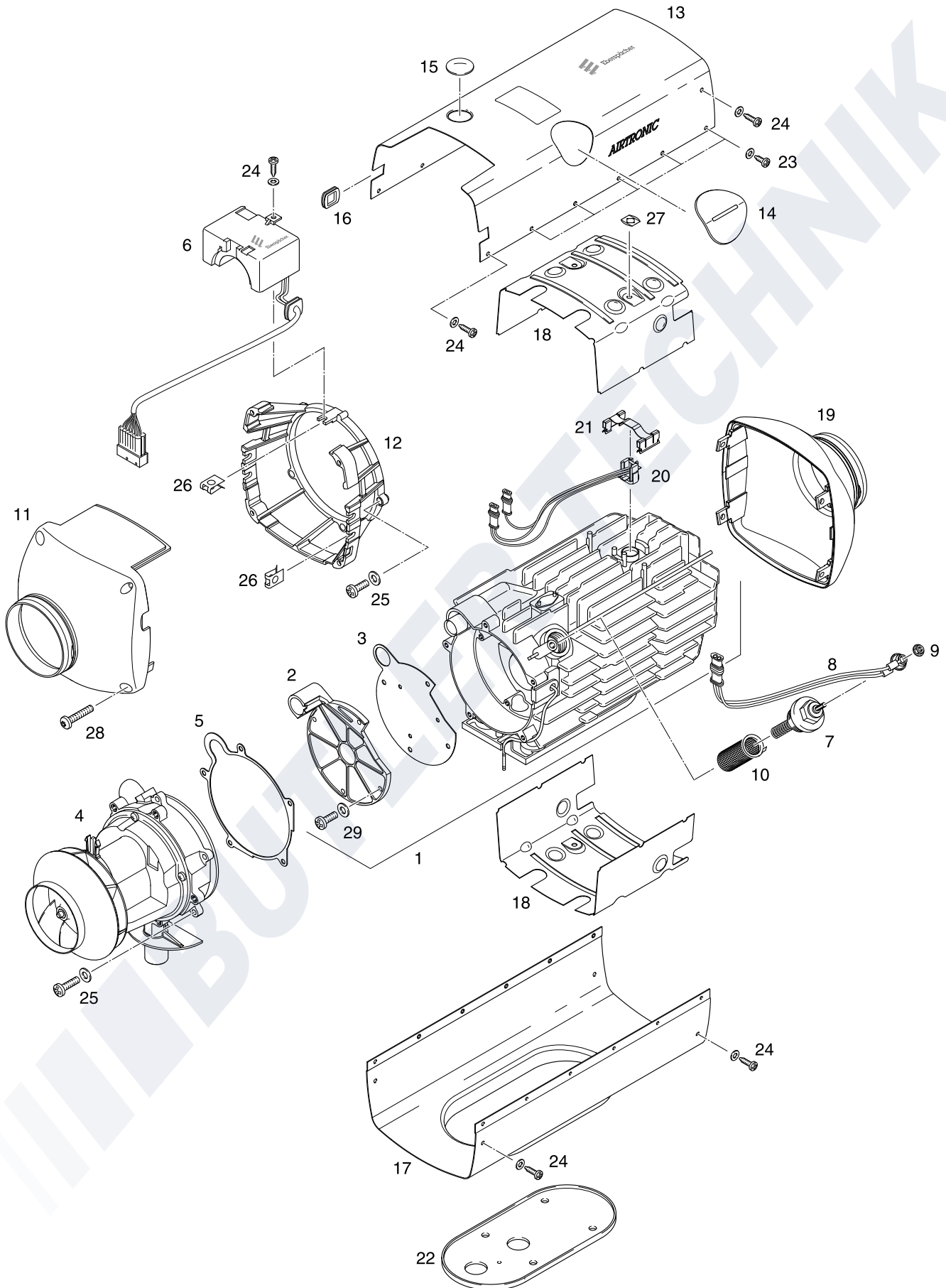
This release tool can be ordered directly from Eberspächer GmbH & Co. KG.

- For Micro Timer Order No. 206 00 205
- For Junior Power Timer Order No. 206 00 215



# 5 Repair instructions

## Assembly drawing



## 5 Repair instructions

### Parts list

- 1 Heat exchanger, complete with combustion chamber
- 2 Combustion chamber cover
- 3 Seal combustion chamber
- 4 Combustion air fan
- 5 Seal
- 6 Control box
- 7 Glow plug
- 8 Connection cable for glow plug
- 9 Fixing nut M4
- 10 Lining
- 11 Intake hood
- 12 Shell holder
- 13 Upper jacket shell
- 14 Grommet (glow plug)
- 15 Grommet (Rotary valve)
- 16 Grommet (cable harness)
- 17 Lower jacket shell
- 18 Heat shield
- 19 Outlet hood
- 20 Combination sensor (flame / overheating sensor)
- 21 Combination sensor retaining clips
- 22 Sealing, flange
- 23 Single-thread screw B 3,5 x 9,5 Z1 DIN 7981 ZN12FF
- 24 Single-thread screw B 3,5 x 13 Z1
- 25 Fillister head bolt M5 x 20 Z3 DIN 7895 4.8 ZN8
- 26 C-Clip single-thread nut
- 27 DUO-Clip, (retaining clips)
- 28 Screw M5 x 25, TORX DIN 7500 C
- 29 Fillister head bolt M5 x 16 Z3 DIN 7895 4.8 ZN8

## 5 Repair instructions

### Repair step 1

#### Dismantle / assemble glow plug

(Figure 1)

- Remove large angular rubber grommet.
- Unscrew M4 fixing nut of the connection cable and screw out the glow plug using a SW 19 socket spanner.
- Install in the reverse order.  
Glow plug torque  $20^{+2}$  Nm.  
Connection cable nut torque 1.4 Nm.

#### Please note!

- With the glow plug dismantled, visually check the lining of the installed glow plug support for dirt. If the lining is highly soiled and its surface closed, renew the lining (see repair step 2).
- Ensure the rubber grommet sits securely and tightly!

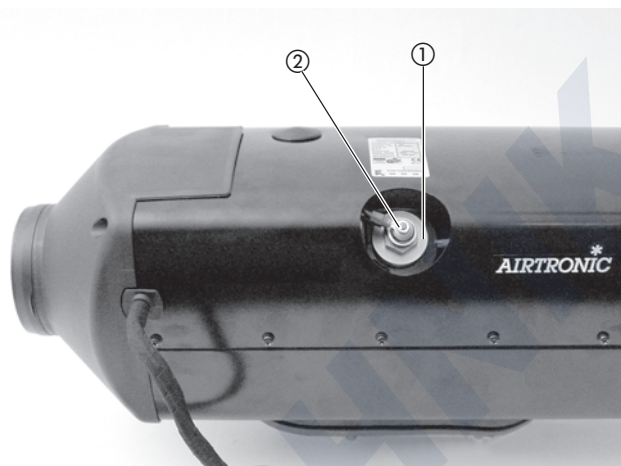


Figure 1

- ① Glow plug
- ② Fixing nut for connection cable

### Repair step 2

#### Dismantle / assemble lining

(Figure 2)

- Repair step 1, dismantle / assemble glow plug.
- Use long-nose pliers to pull the lining out of the support from above.
- Clean the support by blowing it with compressed air.
- If necessary, carefully push through a wire.
- Carefully install the new lining. No special tools required.

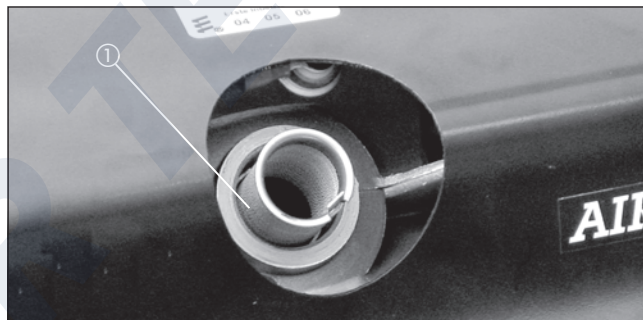


Figure 2

- ① Lining

### Repair step 3

#### Dismantle / assemble control box

(Figure 3)

- Unscrew the 4 fixing screws of the intake hood.
- Remove intake hood.
- Check inserted seal for damage, replace if necessary.
- Unscrew the fixing screw of the control box.
- Remove grommet from the upper jacket shell.
- Press together the retaining clamps.
- Remove the control box from above.
- Remove all connection cables from the control box. (Note the position of the cables). The control box can now be removed.
- Install in the reverse order.  
Torque for intake hood fixing screws  $4.0^{+0.5}$  Nm.  
Torque for control box fixing screw  $1.75^{+0.25}$  Nm.

#### Please note!

When assembling the control box ensure that all the connection cables have been inserted in the control box (non-reversible).

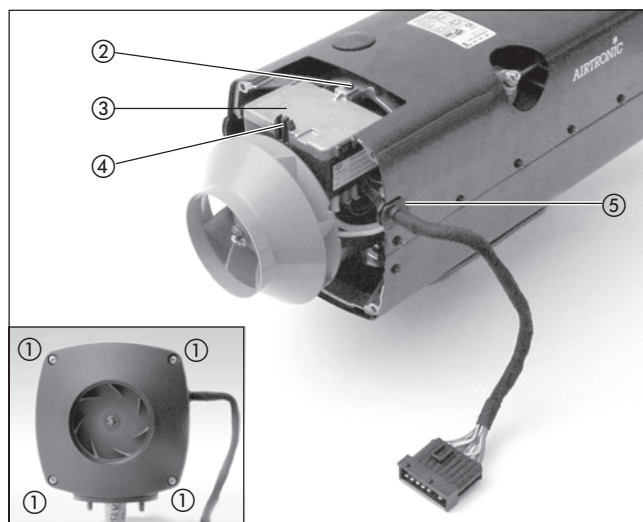


Figure 3

- ① Intake hood fixing screws
- ② Control box fixing screw
- ③ Control box
- ④ Retaining clamp
- ⑤ Grommet

# 5 Repair instructions

## Repair step 4

### Dismantle / assembly combination sensor (overheating / flame sensor)

(Figure 4 – 6)

- Repair step 3, dismantle / assemble control box.
- Unscrew the 4 fixing screws of the outlet hood and remove outlet hood.
- Unscrew the 12 fixing screws of the upper jacket shell and remove the upper jacket shell.
- Use a screwdriver to remove both DUO-clip (retaining clips) at the heat shield and remove the heat shield.
- Pull off the retaining clip of the combination sensor (flame / overheating sensor) from above.
- Install in the reverse order.  
Torque for outlet hood fixing screws 1.45 ±0.5 Nm.  
Torque for upper jacket shell fixing screws 1.45 ±0.5 Nm.

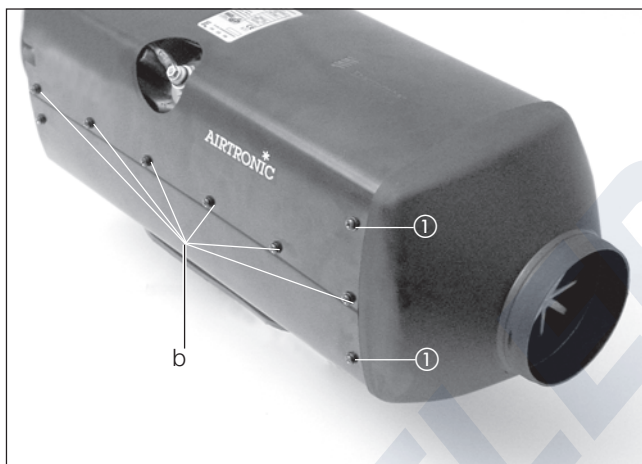


Figure 4

- ① Outlet hood fixing screws (B 3.5 x 13) (opposite side of unit is mirror image)
- ② Fixing screws of upper jacket shell (10 No. B 3.5 x 9.5 and 2 No. B 3.5 x 13)

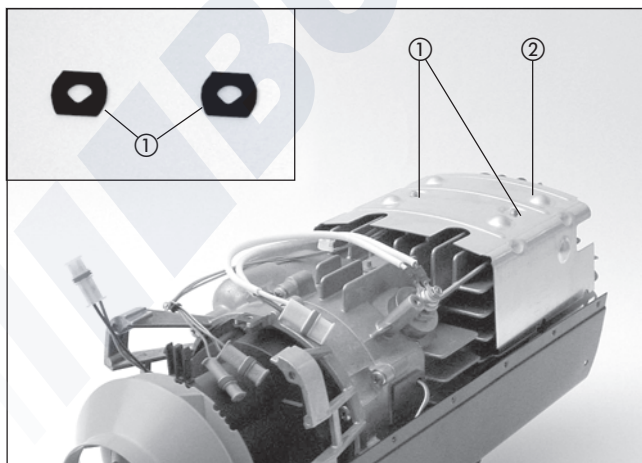


Figure 5

- ① DUO-clip (retaining clips)
- ② Heat shield

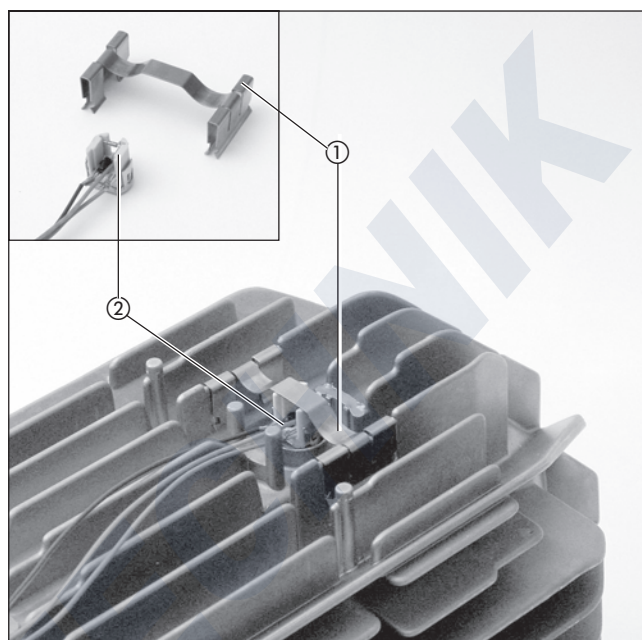
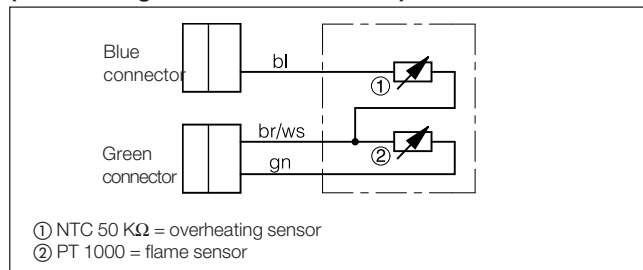


Figure 6

- ① Combination sensor retaining clips
- ② Combination sensor (flame / overheating sensor)

### Circuit diagram for combination sensor (overheating sensor / flame sensor)



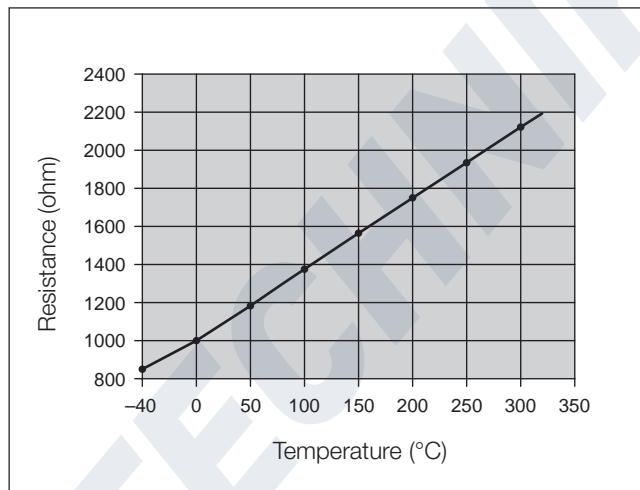
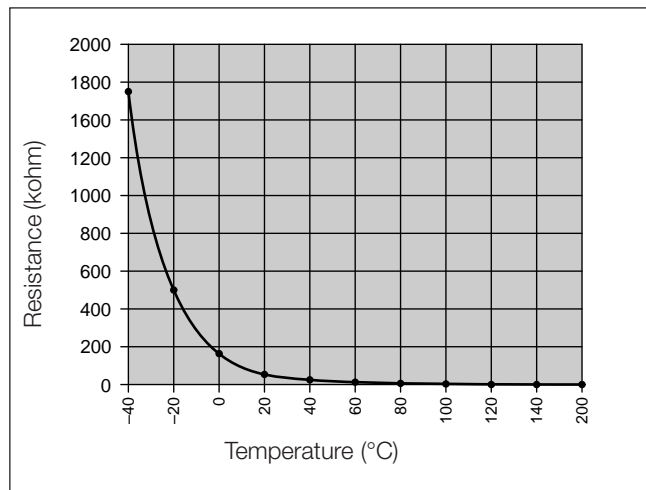
# 5 Repair instructions

## Check combination sensor

The external temperature sensor must be checked using a digital multimeter. If the resistance value does not match the curve in the diagram, replace the combination sensor.

**Please note!**

Note the max. temperature of 320° for the test.



**Table of overheating sensor values**

Temperature °C	Resistance kΩ min.	max.
-40	1597.00	1913.00
-20	458.80	533.40
0	154.70	175.50
20	59.30	65.84
40	25.02	28.04
60	11.56	13.16
80	5.782	6.678
100	3.095	3.623
120	1.757	2.081
140	1.050	1.256
160	0.6554	0.792
180	0.4253	0.5187
200	0.2857	0.3513

**Table of flame sensor values**

Temperature °C	Resistance Ω min.	max.
-40	825.90	859.60
0	980.00	1020.00
40	1132.30	1178.50
80	1282.80	1335.10
120	1431.50	1489.90
160	1578.30	1642.80
200	1723.40	1793.70
240	1866.60	1942.80
280	2008.10	2090.00
320	2147.70	2235.40

## 5 Repair instructions

### Repair step 5

#### Dismantle / assemble combustion air fan

(Figure 7 – 11)

- Repair step 3, dismantle / assemble control box.
- Unscrew the 4 fixing screws of the outlet hood and remove outlet hood.
- Unscrew the 12 self-tapping screws of the upper jacket shell and remove the upper jacket shell.
- Remove flange seal.
- Unscrew the 2 self-tapping screws of the lower jacket shell at the shell holder and remove the lower jacket shell.
- Unscrew the 4 screws of the shell holder.
- Unscrew the 5 screws of the combustion air fan.
- Remove the combustion air fan.
- Install in the reverse order.  
Torque for outlet hood fixing screws  $1.45 \pm 0.5$  Nm.  
Torque for upper and lower jacket shell fixing screws  $1.45 \pm 0.5$  Nm.  
Torque for shell holder fixing screws  $2.5 \pm 0.5$  Nm.  
Torque for combustion air fan fixing screws  $4.0 \pm 0.5$  Nm.

#### Please note!

Always renew the seal between the combustion air fan and the heat exchanger.

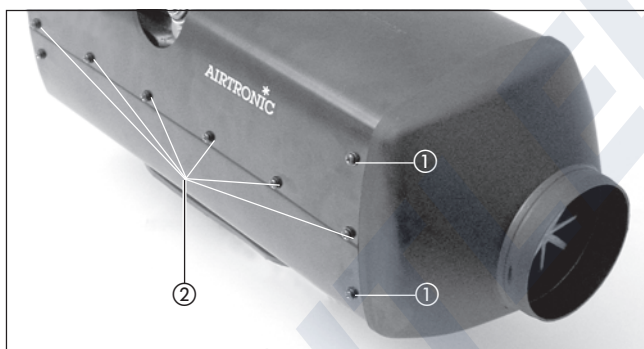


Figure 7

- ① Outlet hood fixing screws (B 3.5 x 13)  
(opposite side of unit is mirror image)
- ② Fixing screws of upper jacket shell  
(10 No. B 3.5 x 9.5 and 2 No. B 3.5 x 13)

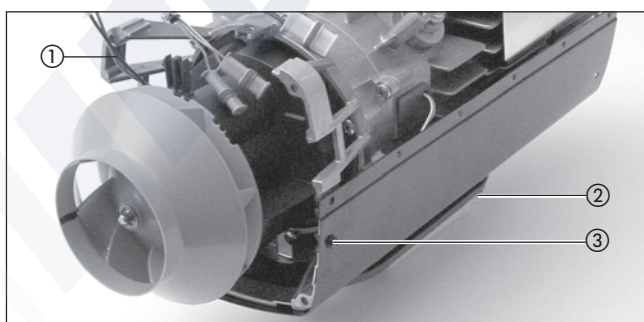


Figure 8

- ① Shell holder
- ② Flange seal
- ③ Fixing screws of lower jacket shell  
(2 No. B 3.5 x 13, opposite side of unit is mirror image)

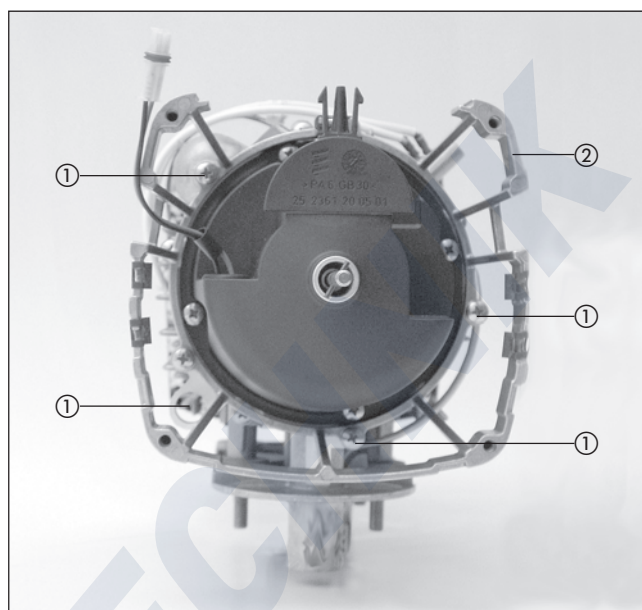


Figure 9 Fan wheel removed for improved view.

- ① Fixing screws for shell holder  
(fillister-head screw M5 x 20)
- ② Shell holder

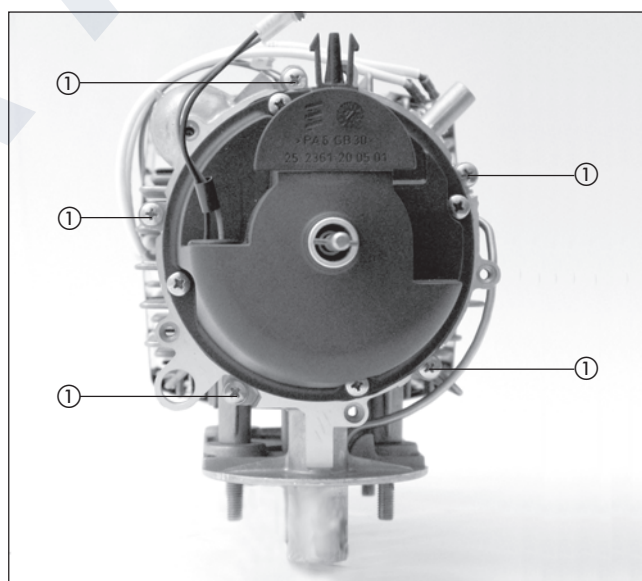


Figure 10 Fan wheel removed for improved view.

- ① Fastening screws of combustion air fan  
(fillister-head screw M5 x 20)

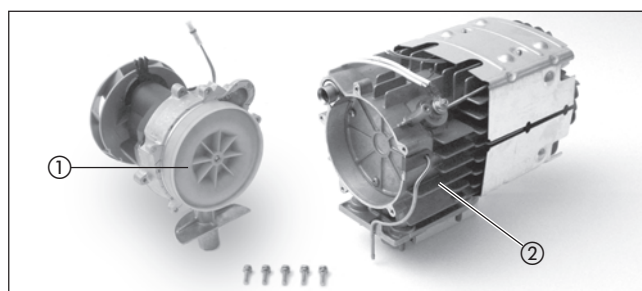


Figure 11

- ① Combustion air fan
- ② Heat exchanger

## 5 Repair instructions

### Repair step 6

#### Replace the combustion chamber cover seal

(Figure 12)

- Repair step 5, dismantle / assemble combustion air fan.
- Unscrew the 4 screws of the combustion chamber cover.
- Remove the combustion chamber cover.
- Remove seal, clean seal surfaces if necessary, install new seal.
- Install in the reverse order.  
Torque of combustion chamber cover fixing screws  $3.5^{+0.5}$  Nm.

#### Please note!

Ensure the combustion air duct sits correctly in the combustion chamber cover.  
Tighten the fixing screws "crosswise" (i.e. diagonally opposite screws, one after the other).

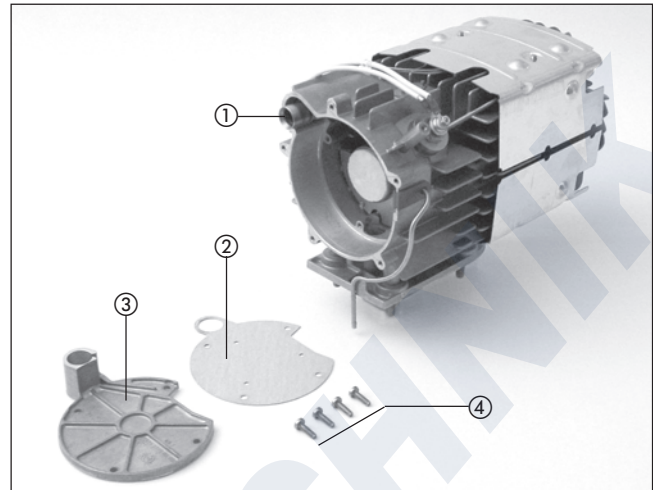


Figure 12

- ① Combustion air duct
- ② Seal
- ③ Combustion chamber cover
- ④ Fixing screws



## 5 Repair instructions

### Check fuel supply

Before measuring the fuel quantity, check the following points in the fuel supply.

- Check the screen in the metering pump.
- Check the laying of the fuel pipes.
- Check fuel pipes for leaks.
- Check and tighten the hose connections.
- Is the fuel removal installed according to the details in the technical description?

### Measuring the fuel quantity

#### 1. Preparation

Remove the fuel pipe at the heater and insert a measuring cylinder (size 25 ml).

Switch on the heater, if the fuel is uniformly pumped (begins approx. 60 sec after being switched on), the fuel pipe is full and vented.

Switch off heater and empty measuring cylinder.

**Please note!**

For precise fuel measurement at least 11 volt and 22 volt or maximum 13 volt and 26 volt should be applied to the control box during the measurement.

#### 2. Measurement

Switch on heater.

The fuel begins to be pumped approx. 60 sec after switching on the heater.

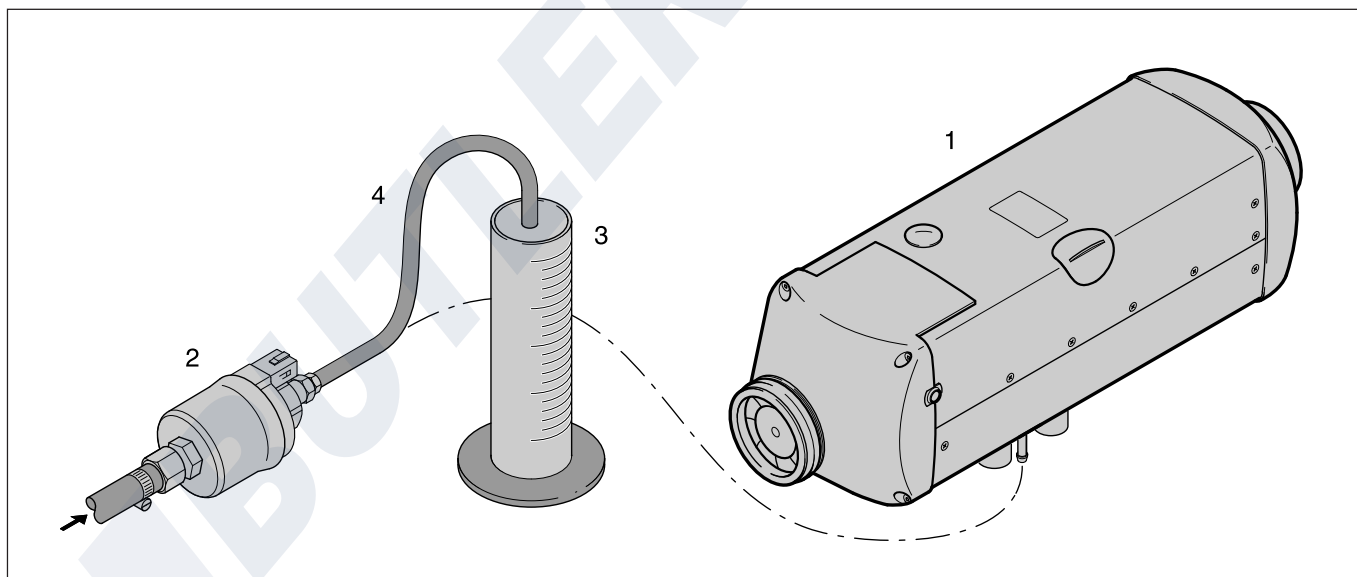
During the measurement, hold the measuring cylinder at the level of the heater.

After approx. 90 sec of the fuel being pumped it is automatically switched off. Switch off heater! \*  
Read off the quantity of fuel in the measuring cylinder.

If the measured fuel quantity lies outside the values given below, the metering pump must be replaced.

Heater	<b>AIRTRONIC L – B5</b>	<b>AIRTRONIC L – D5</b>
min. (ml)	14	8
max. (ml)	18	10

\* Important, as otherwise fuel will be pumped again after approx. 120 sec.



- 1 Heater
- 2 Metering pump
- 3 Measuring cylinder (size 25 ml)
- 4 Fuel pipe (disconnect at heater and insert in a measuring cylinder).

## 6 Circuit diagram

### Parts list circuit diagrams *AIRTRONIC L / AIRTRONIC L – ADR*

- 1.1 Burner motor
- 1.2 Glow plug
- 1.5 Overheating and flame sensor
  
- 2.1 Control box
- 2.2 Metering pump
- 2.7 Main fuse 12 volt = 25 A  
24 volt = 20 A
- 2.7.1 Fuse, actuation (5 A)
  
- 5.1 Battery
- 5.2.1 Battery operating switch  
(operation, e.g. controlled by the ignition lock) d)
- 5.2.2 Battery isolating switch  
(EMERGENCY OFF function for ADR) d)
- 5.3 Auxiliary drive (HA+)
- 5.3.1 Auxiliary drive switch
- 5.5 Generator terminal (D+)

- a) Control units and room temperature sensor connected according to the „control units“ circuit diagram.
- ge Switch-on signal (– S+)
  - brws Reference signal sensor
  - grt Temperature (setpoint)
  - blws Diagnosis
  - br Power supply, negative (terminal 31)
  - wsrt Switch off the anti-theft alarm system (ADR – feedback signal for timer)
  - gr Temperature (actual value)
  - rt Power supply, positive (terminal 30)
- b) Option
- Fresh air fan
  - Vehicle fan control
- c) ADR  
Dangerous goods transporter in the area of the utility vehicle (e.g. tanker)
- d) If only one switching element is used for items 5.2.1 and 5.2.2, it is important to ensure that on activating the „open the battery isolating switch“ function (EMERGENCY OFF function in ADR or similar), the switch always breaks contact immediately (regardless of the heater condition) and all the heater's circuits are disconnected from the battery.

#### Please note!

- Insulate unused cable ends.
- Connectors and bush housings are shown from the cable inlet side.

### Parts list circuit diagram control units / control units – ADR

- 2.15.1 Temperature sensor (room temperature)
- 2.15.9 Temperature sensor (outside temperature)
  
- 3.1.9 Changeover switch “heat / ventilate”
- 3.1.16 Radio remote control button
- 3.1.17 Mini controller *AIRTRONIC*
- 3.1.18 Button *CALLTRONIC*
- 3.2.8 Module timer (ADR – potentiometer)
- 3.2.12 Timer, mini – 12 / 24 volt
- 3.2.14 Lighting, mini timer – 12 volt only
- 3.3.6 Radio remote control stationary part TP41i
- 3.3.7 Radio remote control stationary part TP5
- 3.3.8 Remote control *CALLTRONIC*
- 3.8.3 Antenna
- 3.9.1 Diagnosis, JE diagnosis

- a) Connection of control units at the heater
- rt Power supply, plus – terminal 30
  - ge Switch-on signal – S+
  - gr Temperature – actual value
  - wsrt Switch off the anti-theft alarm system (ADR – feedback signal for timer)
  - br Power supply, minus – terminal 31
  - blws Diagnosis
  - grt Temperature – setpoint
  - brws Ground connection for external temperature sensor and temperature setpoint
- b) Terminal 15 – necessary for connection TP4i
- c) Lighting, terminal 58
- d) Connection, diagnostic unit
- e) Connection, external temperature sensor
- g) Connection, external heating button
- h) Connection, radio remote control TP4i
- j) Connection, temperature sensor (outside temperature)
- l) Connection, change-over switch “heat / ventilate” (option)  
Initial operation: Activate changeover switch “heat / ventilate” then switch on the heater.
- z) Lighting, terminal 58

#### Cable colours circuit diagrams

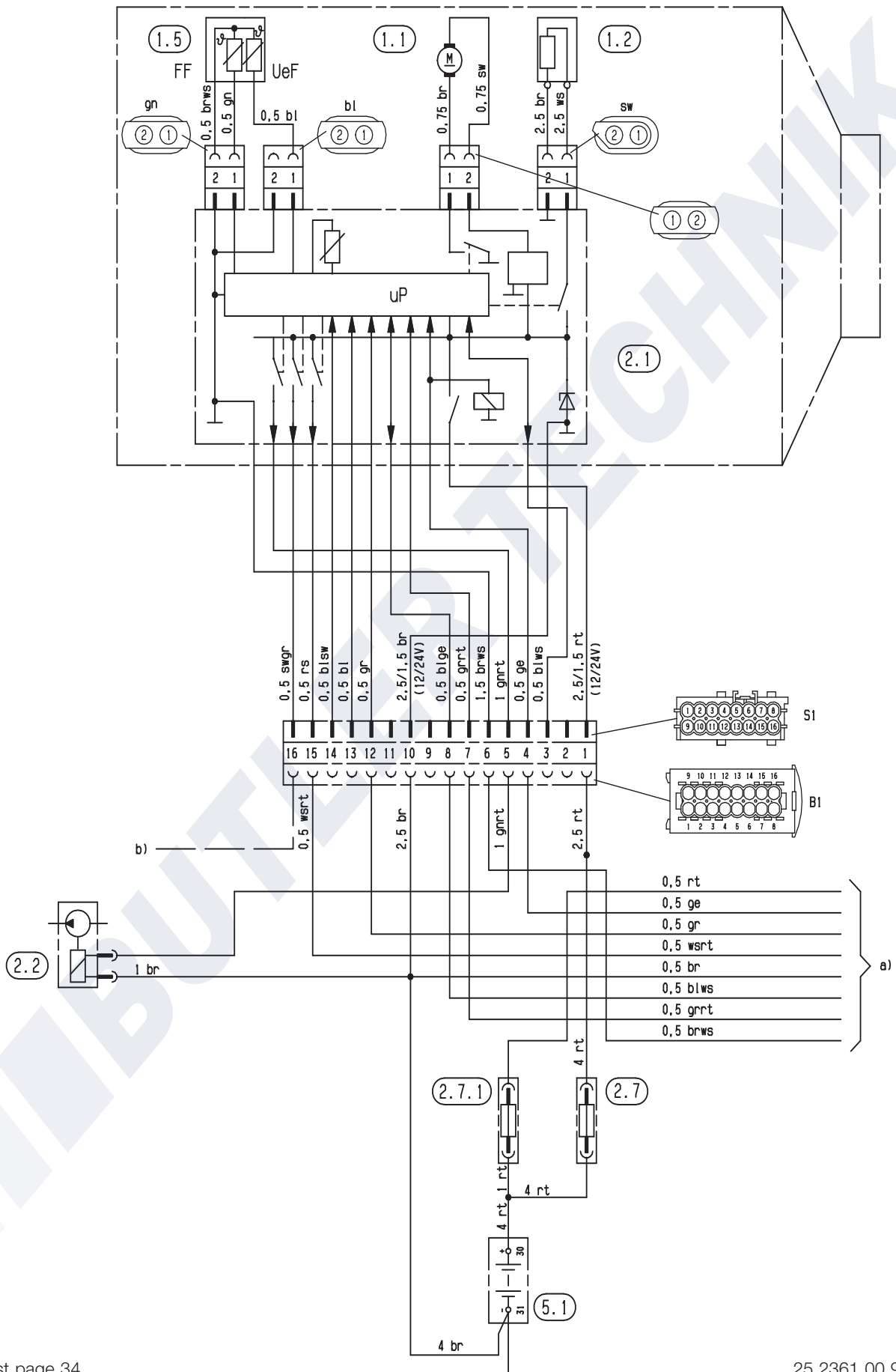
- sw = black
- ws = white
- wsrt = white / red
- rt = red
- ge = yellow
- gn = green
- vi = violet
- br = brown
- brws = brown / white
- gr = grey
- grt = grey / red
- bl = blue
- blws = blue / white
- li = purple

#### Please note!

- Insulate unused cable ends.
- Connectors and bush housings are shown from the cable inlet side.

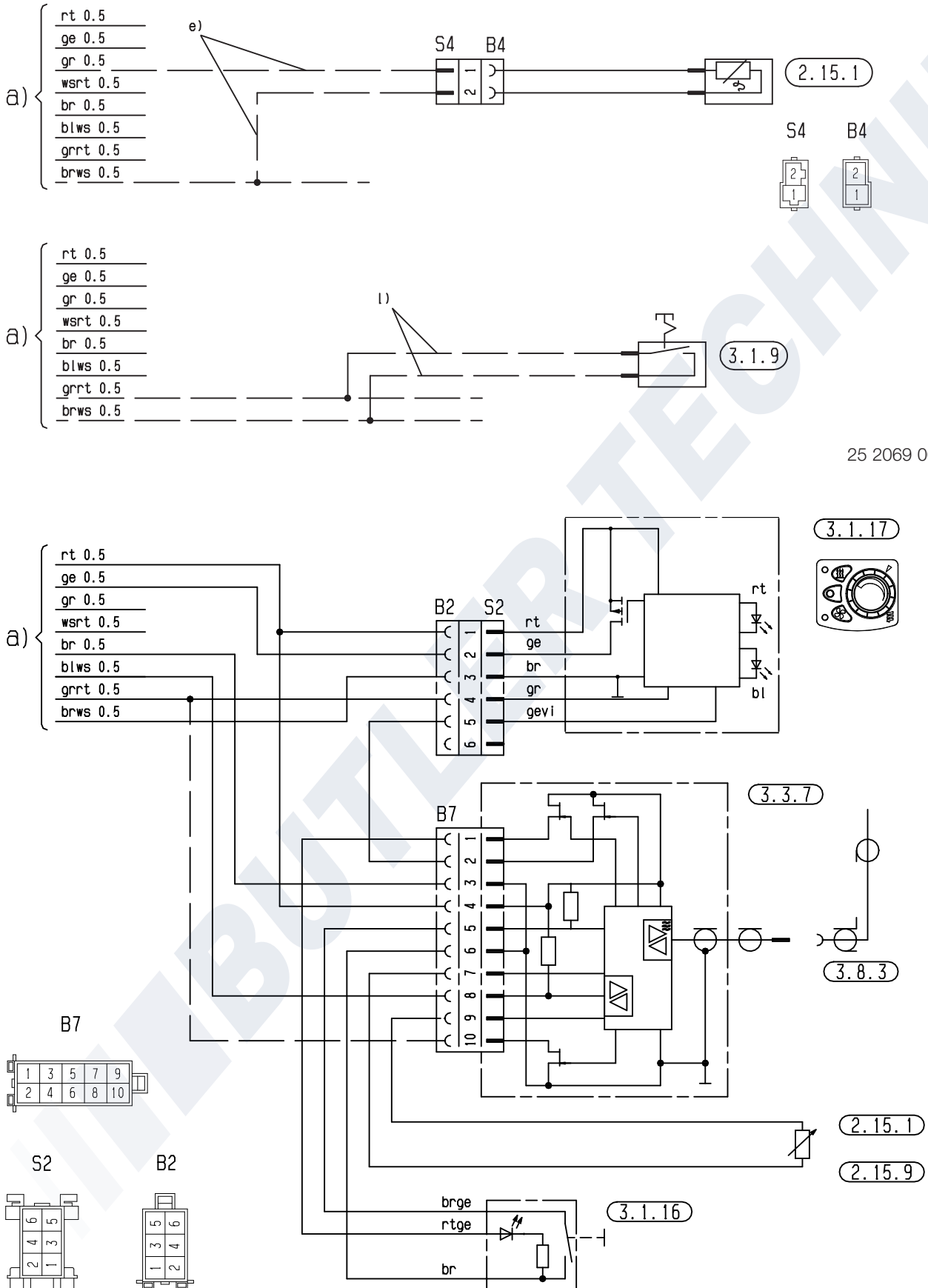
# 6 Circuit diagram

## AIRTRONIC L circuit diagram – 12 volt / 24 volt



# 6 Circuit diagram

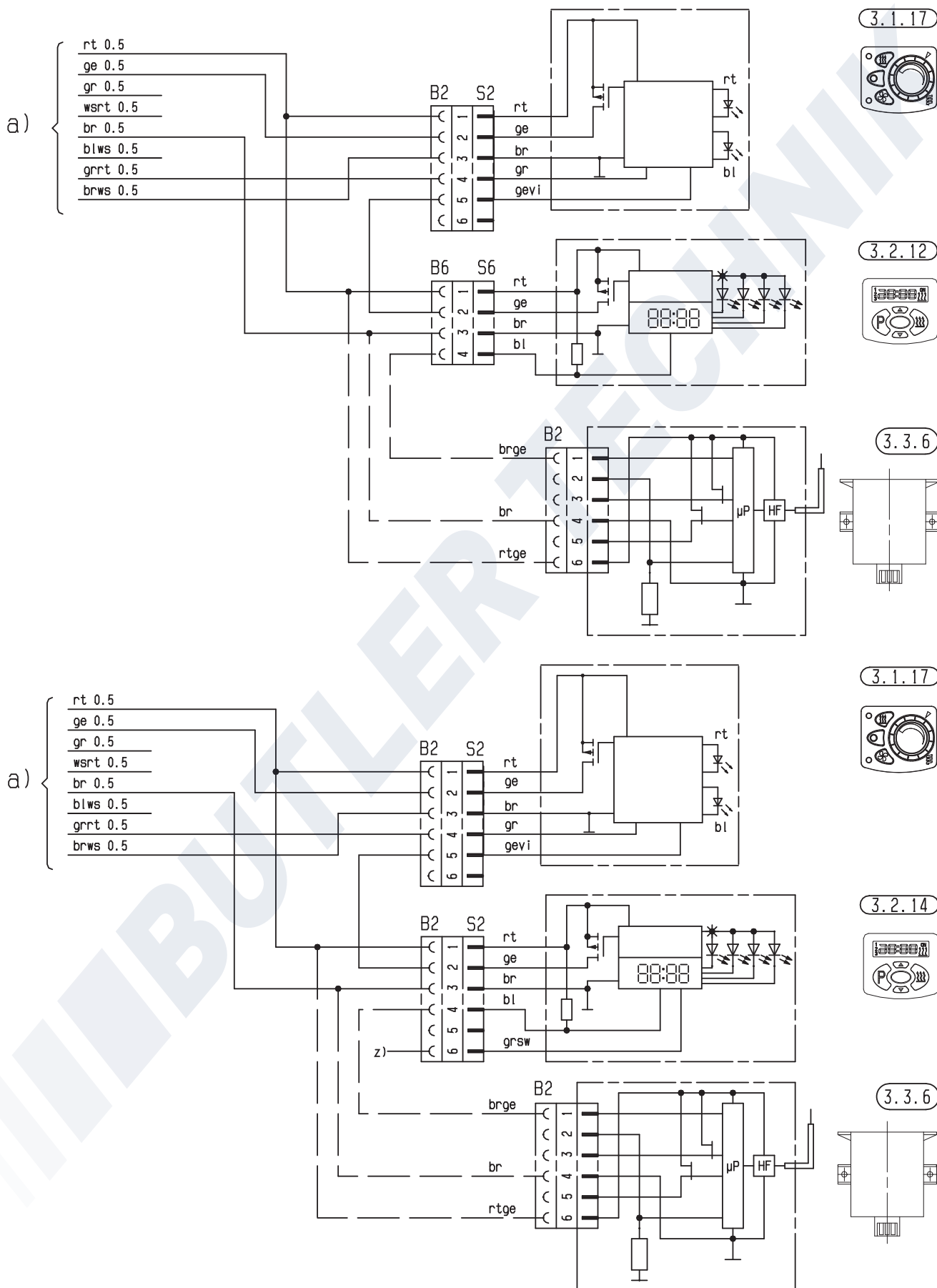
## Circuit diagram for control units



25 2069 00 97 01 C

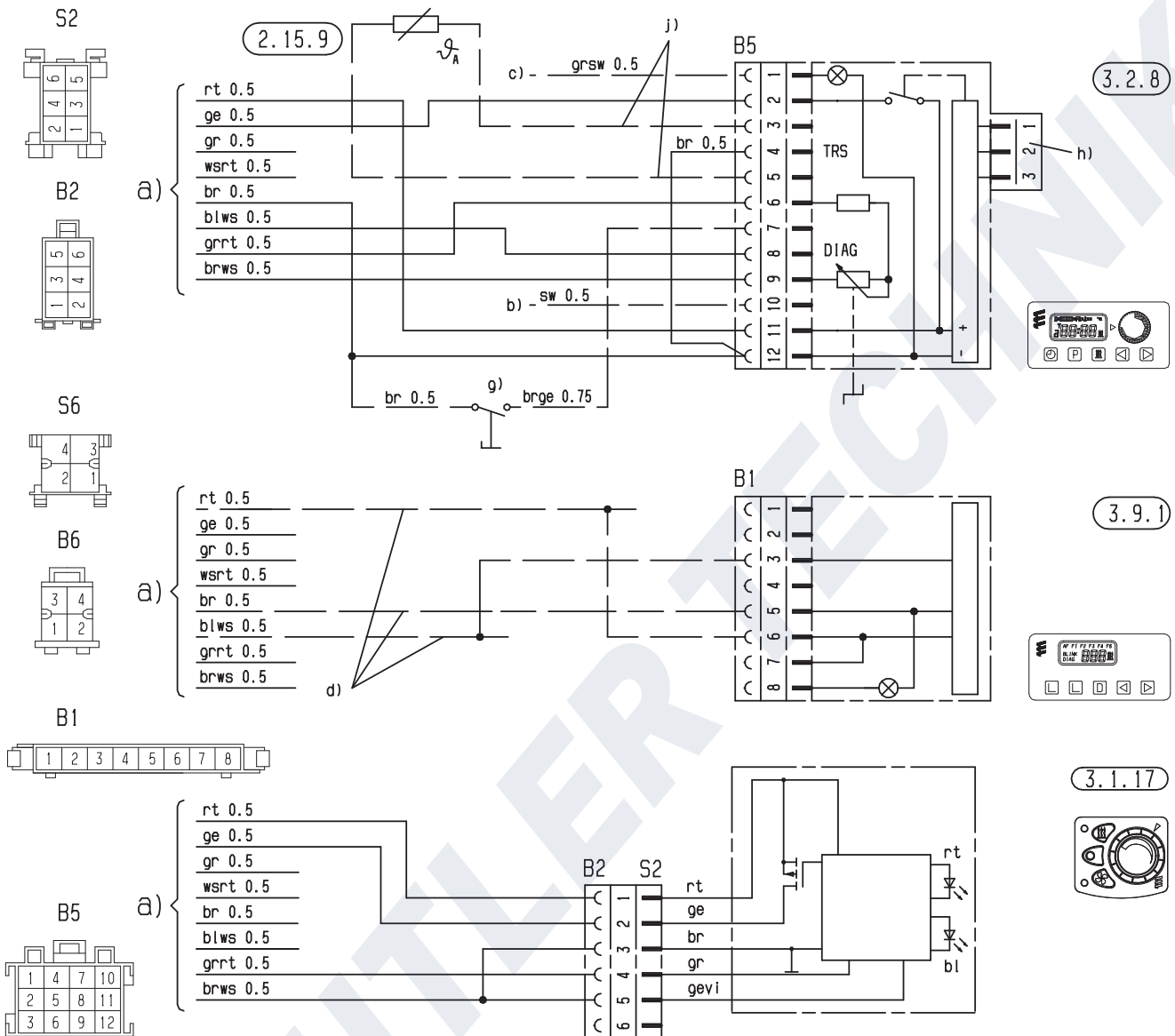
# 6 Circuit diagram

## Circuit diagram for control units



# 6 Circuit diagram

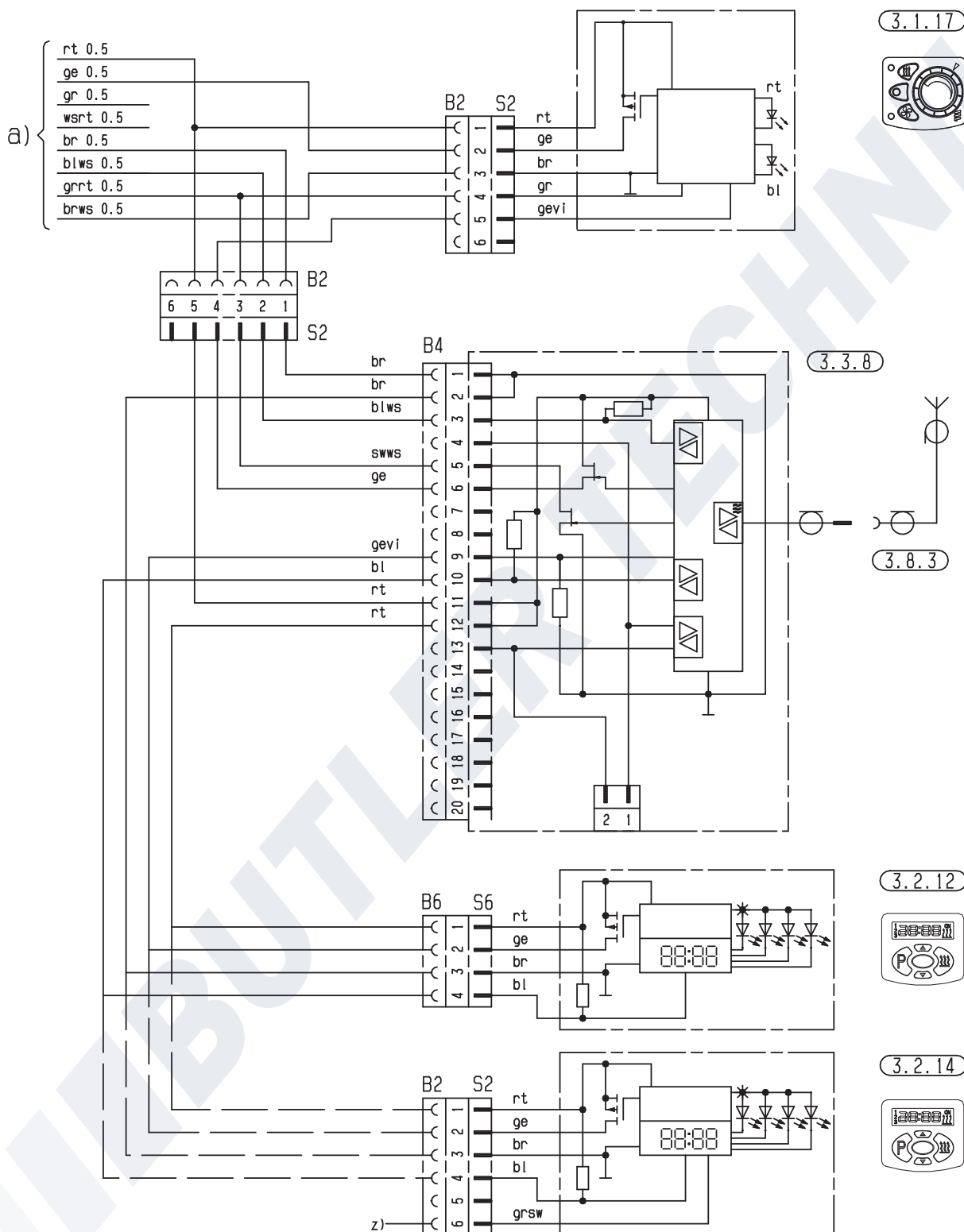
## Circuit diagram for control units



25 2069 00 97 02 A

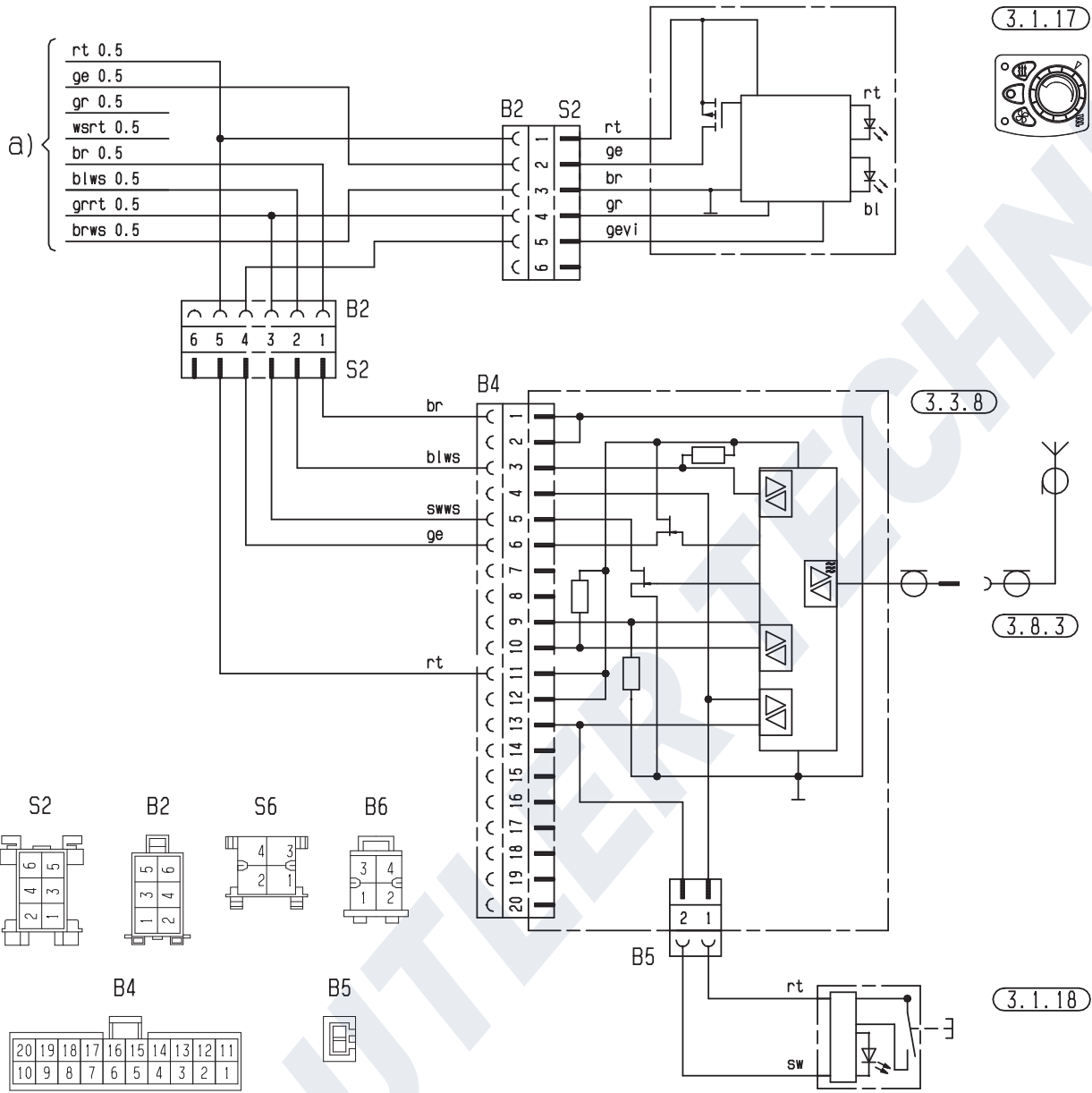
# 6 Circuit diagram

## Circuit diagram for control units



# 6 Circuit diagram

## Circuit diagram for control units

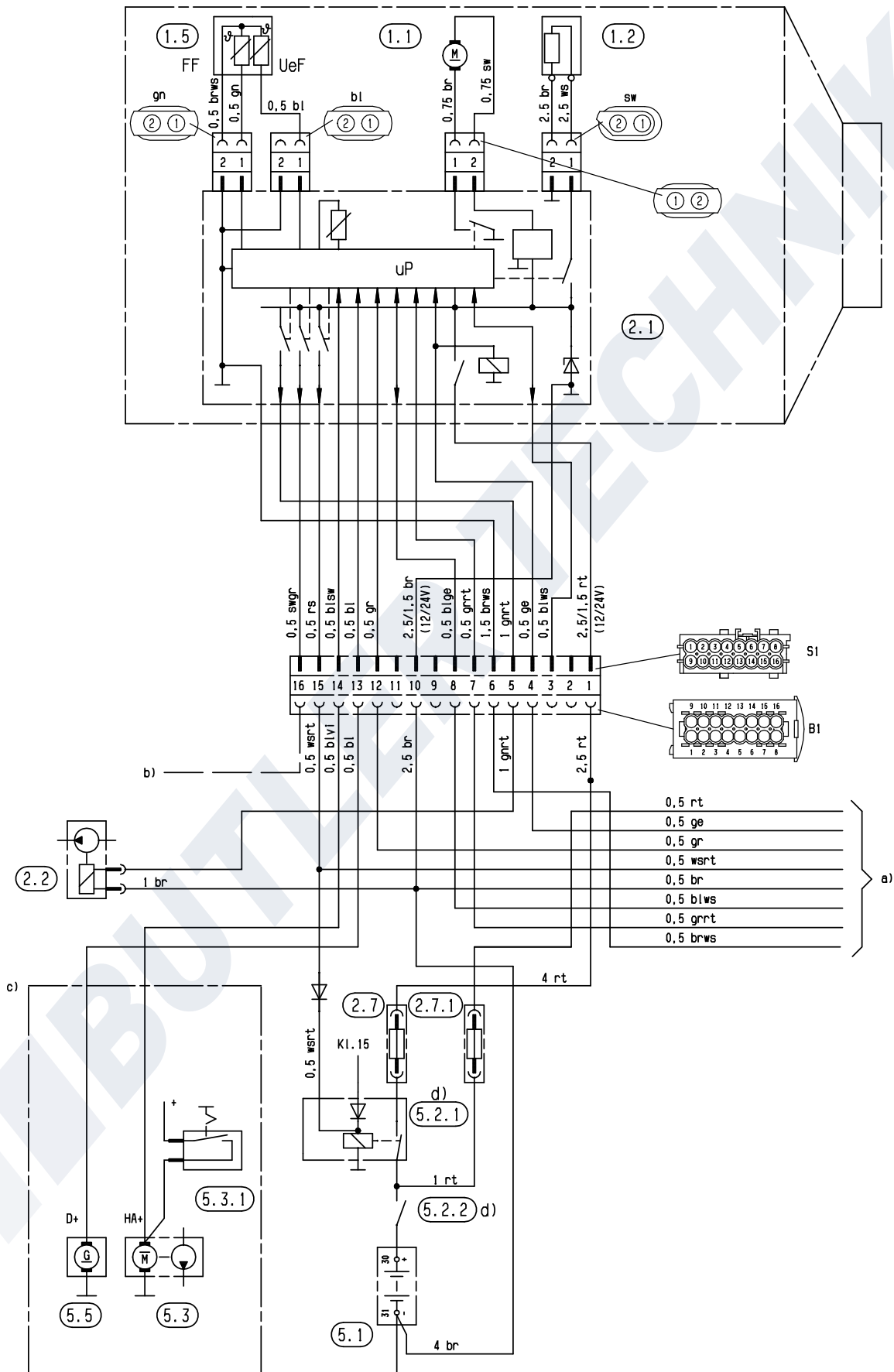


25 2069 00 97 04 A



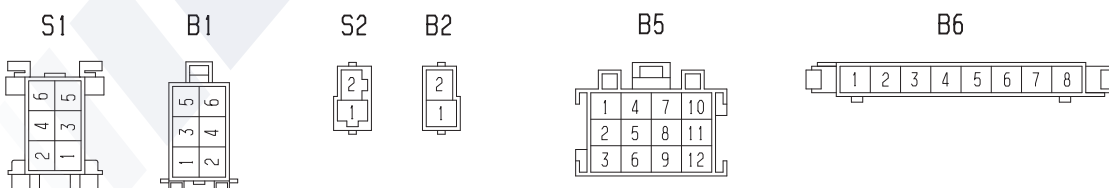
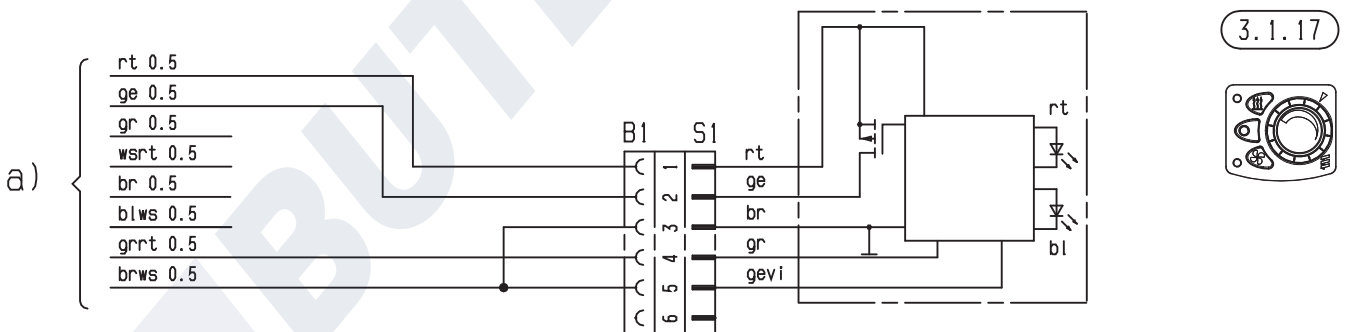
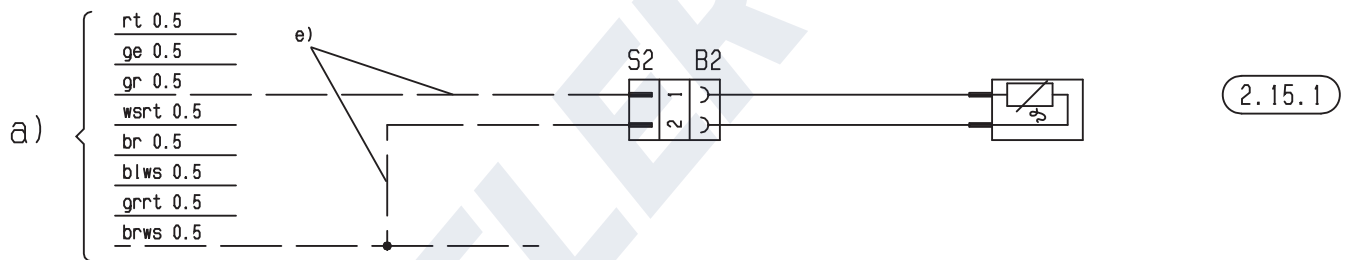
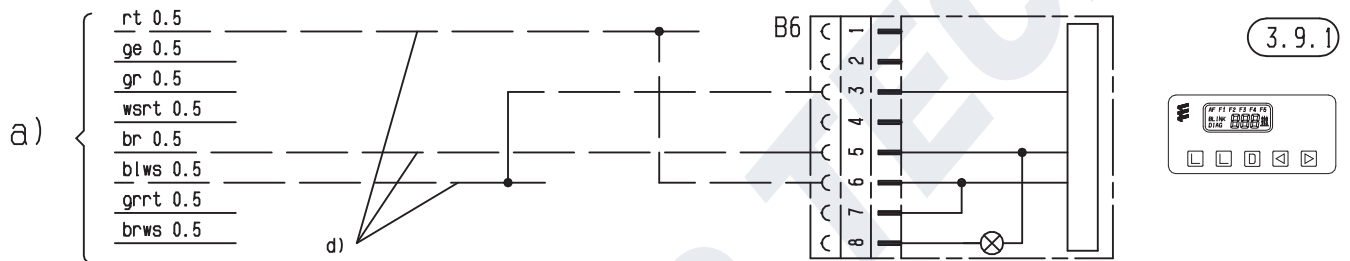
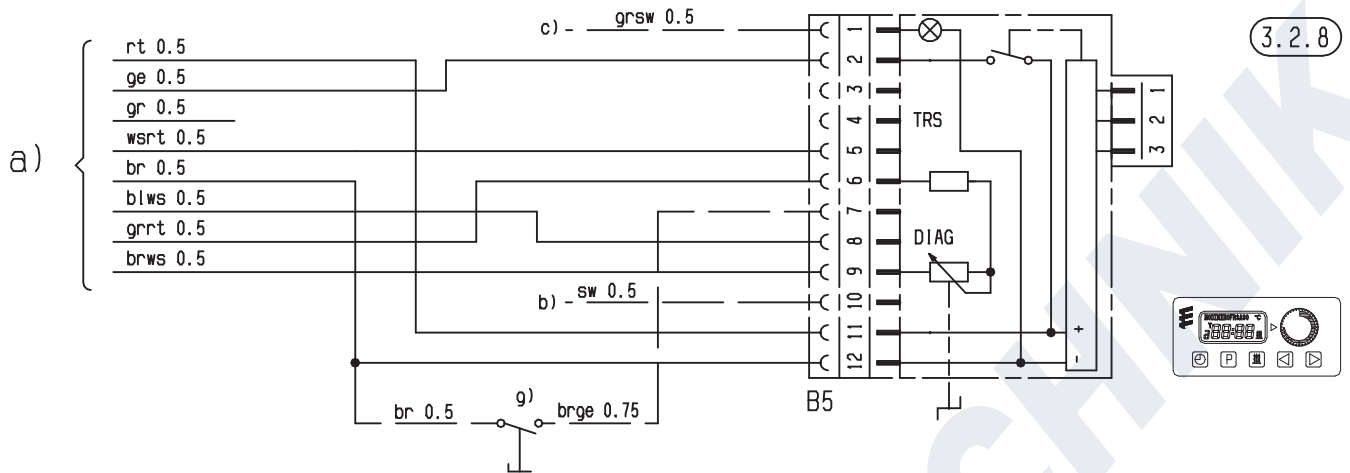
# 6 Circuit diagram

## Circuit diagram AIRTRONIC L – ADR – 12 volt / 24 volt



# 6 Circuit diagram

## Circuit diagram control units – ADR



25 2069 00 96 01 B

## 6 Circuit diagram

### Parts list circuit diagram control unit EasyStart R+ / R / T

- 2.15.1 Temperature sensor (room temperature)  
(included in scope of supply for EasyStart R+,  
optional for EasyStart R / T)
- 2.15.9 Outside temperature sensor (optional)
- 3.1.7 "OFF" button
- 3.1.9 "Heat / ventilate" switch
- 3.1.11 "Round" control unit
- 3.1.16 Radio remote control button
- 3.1.17 "Mini controller" control unit
- 3.2.15 **EasyStart T** timer
- 3.3.9 Radio remote control **EasyStart R** (stationary unit)
- 3.3.10 Radio remote control **EasyStart R+** (stationary unit)
- 3.6.1 Lead harness
- 3.8.3 Antenna
  - a) Connection of control units at the heater
  - c) Terminal 58 (lighting)
  - d) Parking ventilation with vehicle fan (optional)
  - e) Connection of **EasyStart T** timer
  - g) Connection "ON / OFF" key  
(optional e.g. Order No.: 22 1000 32 84 00)
  - h) Connection of "Ventilate" via **EasyStart R+**
  - x) ADR jumper
  - y) Connect and insulate cables

#### Please note!

- The timer / radio remote control must be connected in accordance with the circuit diagrams (page 36 – 49).
- Note heater type!
- The jumper labelled with y) in the circuit diagram must always be connected.
- Insulate unused cable ends.
- Connectors and bush housings are shown from the cable inlet side.

#### Cable colours circuit diagrams

- sw = black
- ws = white
- rt = red
- ge = yellow
- gn = green
- vi = violet
- br = brown
- gr = grey
- bl = blue
- li = purple

#### Assignment of the circuit diagrams to the different AIRTRONIC L and AIRTRONIC L heaters to ADR

The circuit diagrams are assigned according to the installed control box:

The circuit diagrams of the

- **EasyStart R+** 25 2361 00 97 01 C
- **EasyStart R** 25 2361 00 97 02 B
- **EasyStart T** 25 2361 00 97 03 A  
and 25 2361 00 97 04 A

apply to the heater

- with 2 diagnostic cables, which are connected to the 16-pin heater connector S1
  - OEM diagnostics cable  
bl/ws in chamber 3,
  - Universal version of diagnostics cable  
bl/ge in chamber 8.
- with a control box cable loom, which is wound with cable tape.

## 6 Circuit diagram

### Pin assignments

#### EasyStart R+

Pin assignment at the stationary unit connector

1	Terminal 31 (negative)
2	--
3	Ventilate (switching signal -)
4	DAT cable
5	Pushbutton / LED (negative)
6	Temperature sensor (negative)
7	Terminal 30 (positive)
8	S+ (switching on signal)
9	LED (positive)
10	Diagnosis cable (K line)
11	Pushbutton (negative)
12	Temperature sensor (positive)

#### EasyStart R

Pin assignment at the stationary unit connector

1	Terminal 31 (negative)
2	--
3	--
4	DAT cable
5	Pushbutton / LED (negative)
6	--
7	Terminal 30 (positive)
8	S+ (switching on signal)
9	LED (positive)
10	Diagnosis cable (K line)
11	Pushbutton (negative)
12	--

#### EasyStart T

Pin assignment at the EasyStart T-connector S1

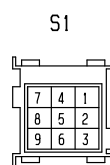
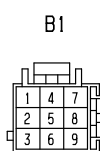
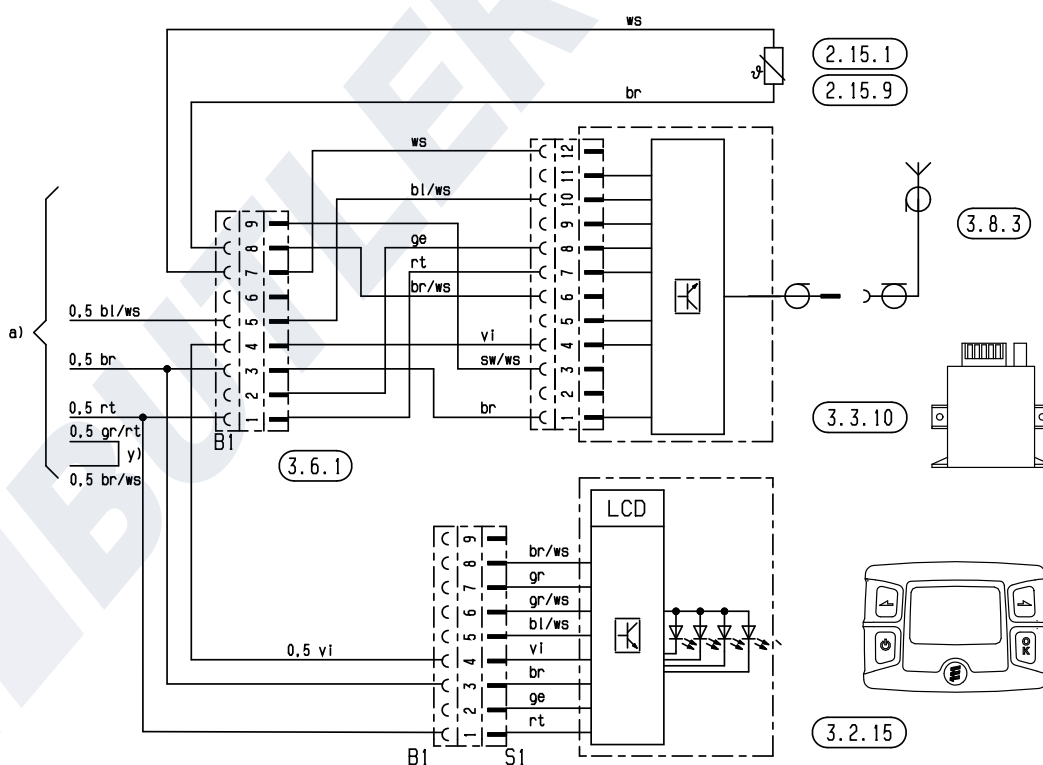
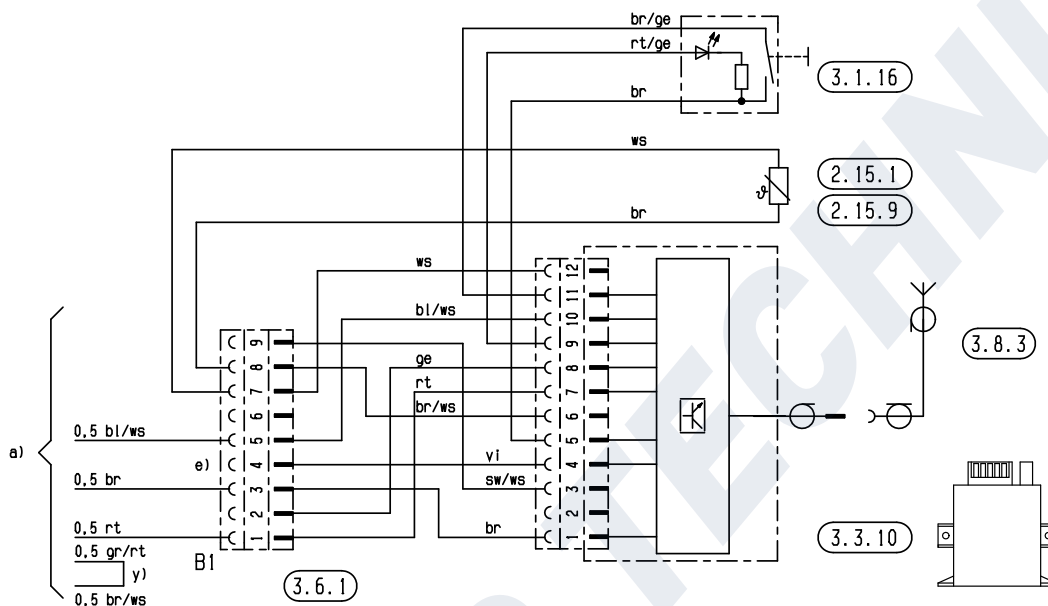
1	Terminal 30 (positive)	rt
2	S+ (switching on signal)	ge
3	Terminal 31 (negative)	br
4	DAT cable	vi
5	Diagnosis cable (K line)	bl/ws
6	Terminal 58	gr/sw
7	Temperature sensor (positive)	gr
8	Temperature sensor (negative)	br/ws
9	--	--

# 6 Circuit diagram

## Circuit diagram control units – EasyStart R+

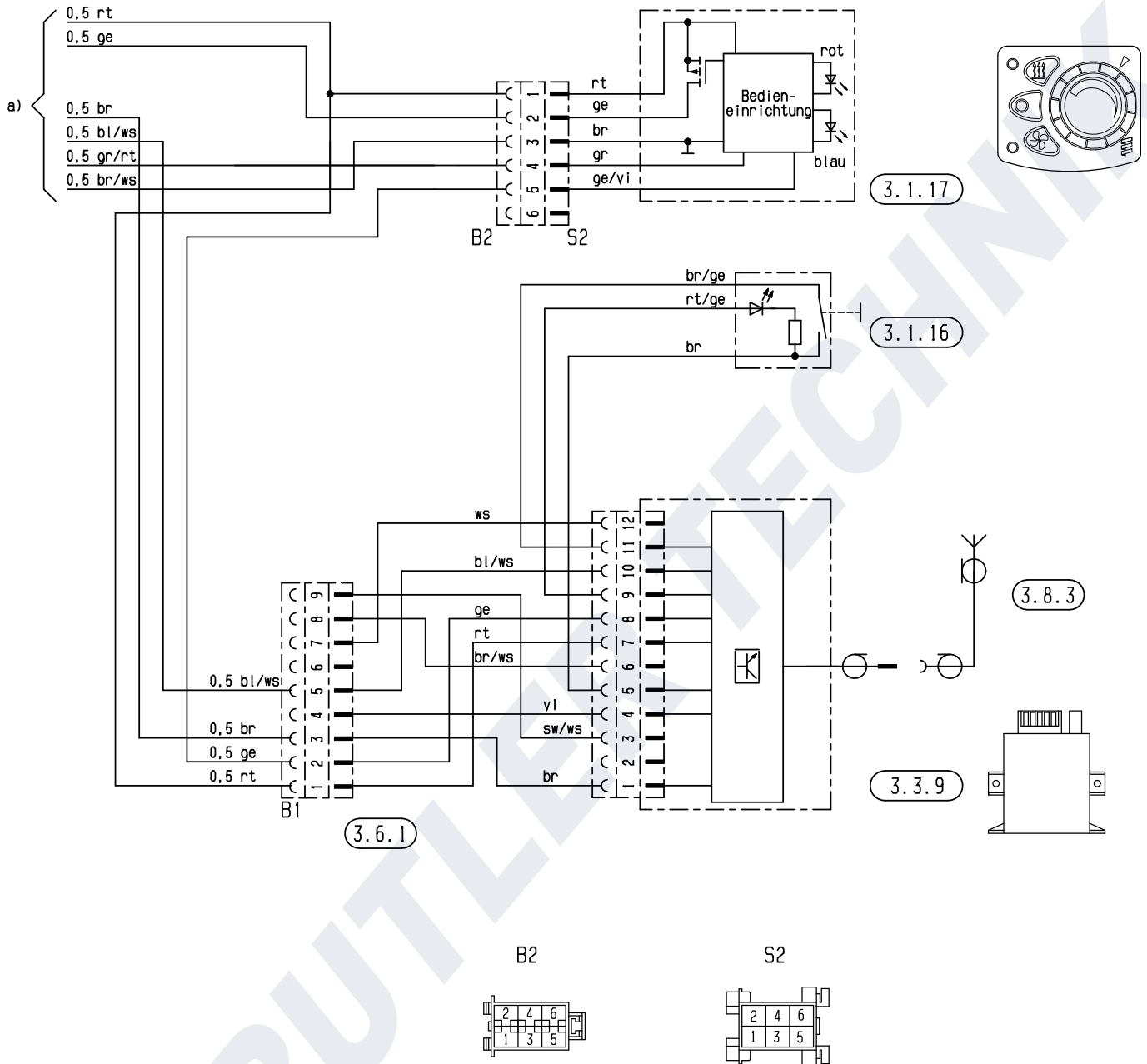
**Please note!**

This circuit diagram is for heaters with 2 diagnostics cable and whose control box cable loom is wound with cable tape.



# 6 Circuit diagram

## Circuit diagram control units – EasyStart R



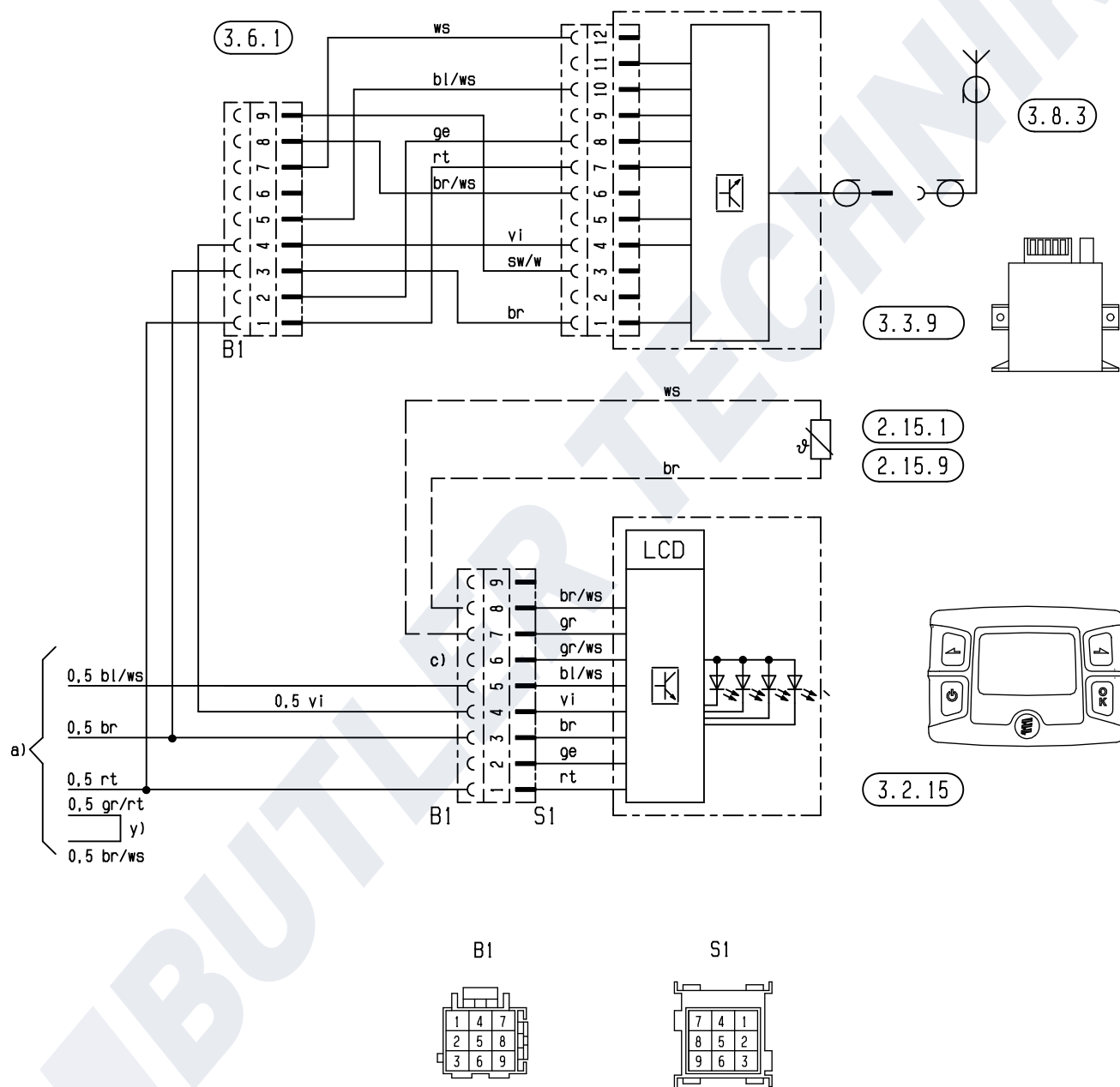
25 2361 00 97 05 B

# 6 Circuit diagram

## Circuit diagram control units – EasyStart R

**Please note!**

This circuit diagram applies to control boxes with two diagnostic cables, see page 43.



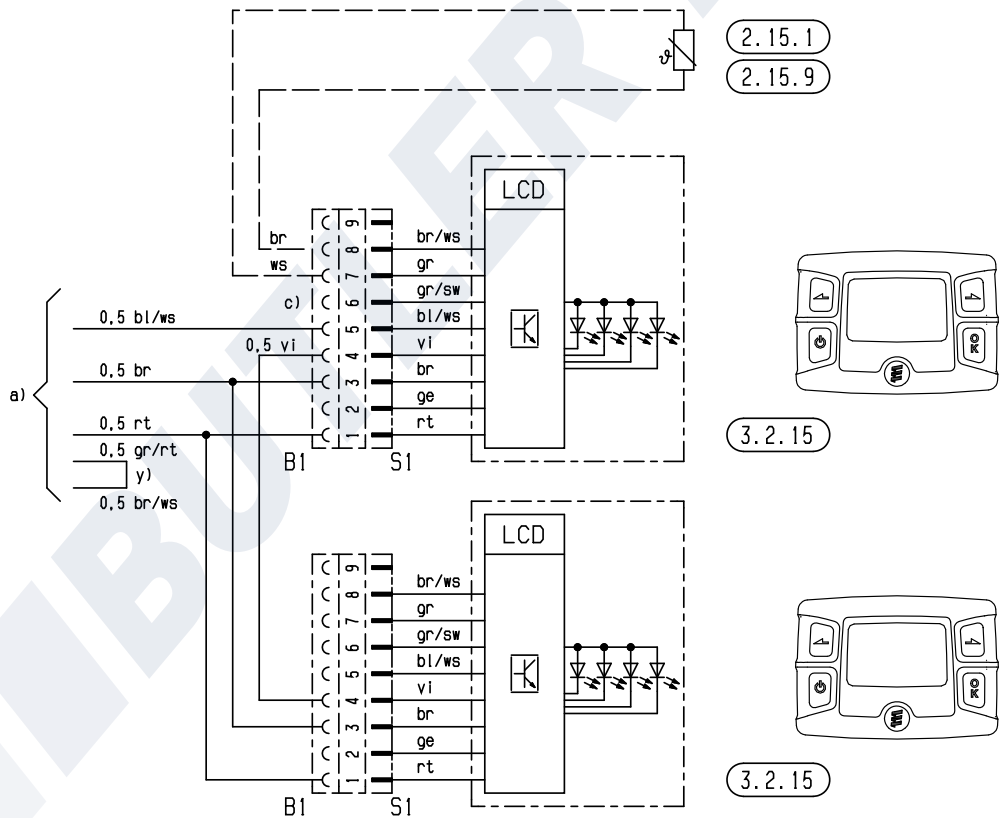
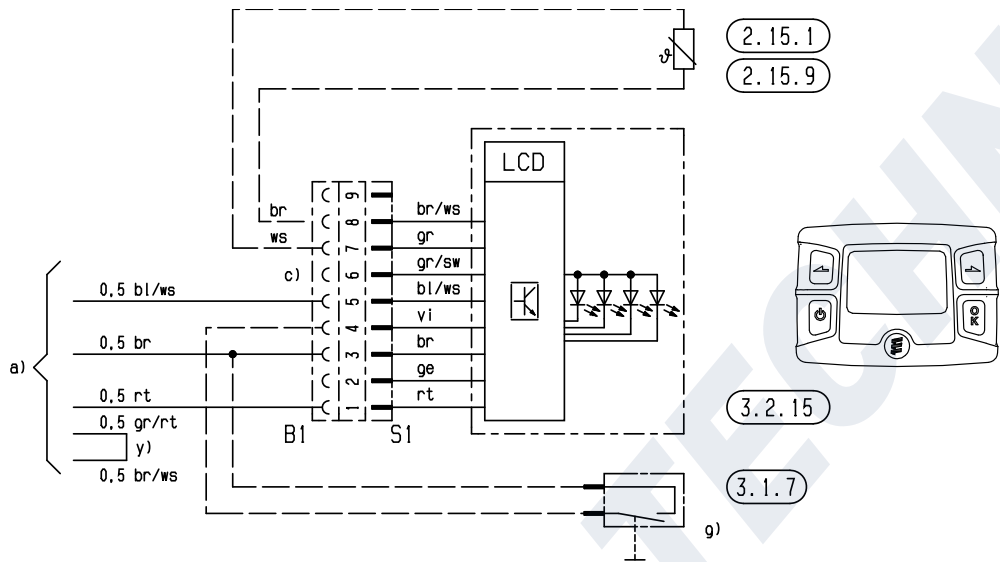
25 2361 00 97 02 B

# 6 Circuit diagram

## Circuit diagram control units – EasyStart T

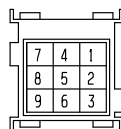
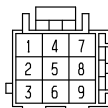
**Please note!**

This circuit diagram is for heaters with 2 diagnostics cable and whose control box cable loom is wound with cable tape.



B1

S1



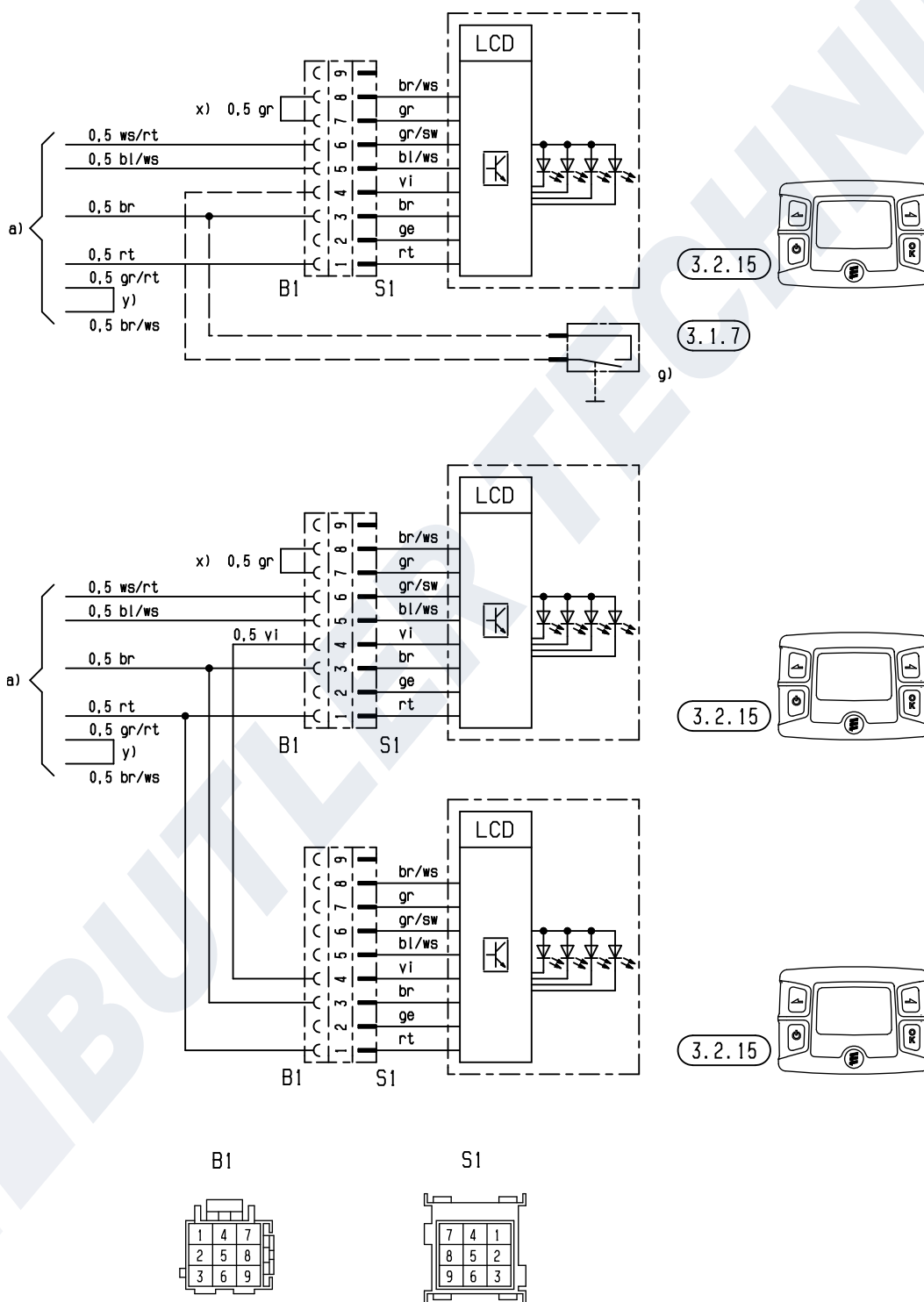


# 6 Circuit diagram

## Circuit diagram control units – EasyStart T – ADR

**Please note!**

This circuit diagram is for heaters with 2 diagnostics cable and whose control box cable loom is wound with cable tape.



25 2361 00 97 04 A

# 7 Service

## Certifications

The high quality of Eberspächer's products is the key to our success.

To guarantee this quality, we have organised all work processes in the company along the lines of quality management (QM). Even so, we still pursue a large number of activities for continuous improvement of product quality in order to keep pace with the similarly constantly growing requirements made by our customers.

All the steps necessary for quality assurance are stipulated in international standards.

This quality is to be considered in a total sense.

It affects products, procedures and customer / supplier relationships.

Officially approved public experts assess the system and the corresponding certification company awards a certificate.

Eberspächer has already qualified for the following standards:

**Quality management in accordance with  
DIN EN ISO 9001:2000 and ISO/TS 16949:1999**

**Environmental management system in accordance with  
DIN EN ISO 14001:1996**

## Disposal

### Disposal of materials

Old devices, defect components and packaging material can all be separated and sorted into pure-grade fractions so that all parts can be disposed of as required in an environment-friendly manner recycled where applicable.

Electric motors, controllers and sensors (e.g. temperature sensors) are deemed to be „electronic scrap“.

### Dismantling the heater

The heater is dismantled according to the repair stages in the current troubleshooting / repair instructions.

### Packaging

The packaging of the heater can be kept in case it has to be sent back.

## EC Declaration of Conformity

With regard to the following products

### Heater type *AIRTRONIC L*

we herewith confirm that it conforms with the prime safety requirements stipulated in the directives of the EU Council for harmonisation of the legal regulations of the member states with regard to electromagnetic compatibility (89 / 336 / EEC). This declaration applies to all heaters manufactured according to the *AIRTRONIC L* production drawings, which are an integral part of this declaration.

The following standards / directives have been used to assess the product with regard to electromagnetic compatibility:

- EN 50081 – 1 Basic form interference emission
- EN 50082 – 1 Basic form of interference immunity
- 72 / 245 / EEC – Modification status 2005 / 83 / EC interference suppression in motor vehicles.



## Representatives abroad

### Argentina

AGCO Argentina S. A.  
Valentin Gomez 577  
1706 Haedo  
RA - Pcia. Buenos Aires  
Tel. 0054 / 1 - 483 32 01  
Fax. 0054 / 1 - 483 32 37

Champion S. A.  
Av. Cordoba 2756 al 58  
RA - 1187 Buenos Aires  
Tel. 0054 / 1 - 962 16 21  
Fax. 0054 / 1 - 962 16 27

### for boat heaters

Trimer S. A.  
P.O. Box 206  
RA - 1425 Buenos Aires  
Tel. 0054 / 11 47 77 45 77  
Fax. 0054 / 11 47 77 45 88

### Belgium and Luxembourg

Eberca bvba-sprl  
Research Park Haasrode  
Esperantolaan 2  
B - 3001 Leuven Haasrode  
Tel. 0032 / 16 - 40 25 00  
Fax. 0032 / 16 - 40 05 15

### Chile

für Bootsheizungen  
Nauticentro Ltda.  
Tomas Moro 135  
Las Condes - Santiago  
Tel. 0056 / 2 - 201 49 66  
Fax. 0056 / 2 - 201 56 35

### Denmark

Eberspächer Danmark  
Literbuen 9  
DK - 2740 Skovlunde  
Tel. 00 45 / 44 - 85 30 30  
Fax. 00 45 / 44 - 89 30 39

### Estonia

Hesyco Group OÜ  
Mäo 72751  
Järvamaa  
Tel. 00372 / 38 48 890/891  
Fax. 00372 / 38 48 892

### Finland

Wihuri Oy Autola  
Manttaalitie 9  
SF - 01510 Vantaa 51  
Tel. 0035 / 89 - 82 58 51  
Fax. 0035 / 89 - 82 58 52 07

### France

Eberspächer S. A. S.  
Z.A.C. la Clé Saint Pierre  
3 rue Blaise Pascal  
F - 78996 Elancourt Cedex  
Tel. 0033 - 1 - 30 68 54 54  
Fax. 0033 - 1 - 30 68 54 55

### Greece

MARCONI HELLAS S. A.  
Souliou 2 - 4  
GR - 143 43 N. Halkidona - Athen  
Tel. 00 30 / 210 - 25 13 500  
Fax. 00 30 / 210 - 25 28 854

### Great Britain

Eberspächer UK Ltd.  
Headlands Business Park  
Salisbury Road, Ringwood  
GB - Hampshire BH 243 PB  
Tel. 0044 / 1425 - 48 01 51  
Fax. 0044 / 1425 - 48 01 52

### Italy

Ofira Italiana SPA.  
Via Eritrea 20 F  
I - 25 126 Brescia  
Tel. 0039 / 030 37931  
Fax. 0039 / 030 45188

### Iran

Overseas Techno Trading Co.  
No. 4 GF, 17th Bucharest Ave.,  
Argentina Sq.,  
Tehran 15138  
Tel. 0098 / 21 - 87 131 16/17  
Fax. 0098 / 21 - 87 125 76

### Japan

White House Co., Ltd.  
412 Nakashua-Cho,  
Tenpan-Hu  
Nagoya 468 - 0096  
Tel. 0081 / 52 835 56 11  
Fax. 0081 / 52 835 56 12

### Canada

Espar Products Inc.  
6435 Kestrel Road  
CDN - Mississauga  
Ontario L5T / 1Z8  
Tel. 001 / 905 - 670 09 60  
Fax. 001 / 905 - 670 07 28

### Latvia

Trans Baltic Trading Corporation  
Maskavas iela 449  
LV - 1063 Riga  
Tel. 00371 / 2 - 266 323  
Fax. 00371 / 7 - 187 967

### Lithuania

Tradcon Ltd.  
Paneriu 51  
LIT - 2055 Vilnius  
Tel. 00370 / 2 - 33 44 30  
Fax. 00370 / 2 - 23 35 37

### Republic Moldavia

TC - IUSTINIAN  
140 Hinchesti Str., of.9  
MD - 2070 Kishinev  
Tel. +3732 / 727883, 738710  
Fax. +3732 / 727883

### Netherlands

Eberca B. V.  
Marconistraat 2  
NL - 3281 NB Numansdorp  
Tel. 0031 / 1866 - 2 19 55  
Fax. 0031 / 1866 - 2 18 18

### Norway

Eberspächer Norge  
Trollåsveien 34  
N - 1414 Trollåsen  
Tel. 00 47 / 66 - 82 30 50  
Fax. 00 47 / 66 - 82 30 58

### Austria

Eberspächer Ges.m.b.H.  
Richard-Strauss-Str. 4  
A - 1232 Wien  
Tel. 0043 / 615 47 47 0  
Fax. 0043 / 615 47 47 42

### Poland

Eberspächer Sp.zo.o  
Wysogotowo K. Poznania  
ul. Okrezna 17  
PL- 62081 Przemierowo  
Tel. 0048 / 61 - 816 18 50  
Fax. 0048 / 61 - 816 18 60

### Russia

Company OKMA  
Kashirskoye shosse 13a  
RUS - 115230 Moskau  
Tel./Fax. 007 / 095 - 111 - 90 95

## 7 Service

---

### Representatives abroad

#### Sweden

Svenska Eberspächer AB  
Box 2103  
S - 12823 Skarpnäck  
Tel. 0046 / 86 83 11 00  
Fax. 0046 / 87 24 90 40

#### Switzerland

Technomag AG  
Fischermeitlistr. 6  
Ch - 3000 Bern - 5  
Tel. 0041 - 31 379 81 21  
Fax. 0041 - 31 379 82 50

#### Slovak Republic

Molpir, spol.s.r.o.  
Hrachova 30  
SK-821 05 Bratislava  
Tel. 00 421 / 243 19 12 18  
Fax. 00 421 / 243 19 12 20

#### Slovenia

Eberspächer Gesellschaft m. b. H.  
Podrušnica SLO  
Celovška cesta 228  
1000 Ljubljana  
Tel. 00 386 / 1 518 70 52  
Fax. 00 386 / 1 518 70 53

#### Spain - Portugal

Pedro Sanz Clima S.L  
Avda. Ingeniero  
Alfonso Peña Boeuf, 10  
E - 28022 Madrid  
Tel. 00349 / 1 - 748 07 85  
Fax. 00349 / 1 - 329 42 31

#### Czech Republic

Eberspächer Praha s.r.o.  
AREAL ZÁLESÍ  
Pod Višňovkou 29  
CZ - 140 00 Praha 4 - Krč  
Tel. 00 420 / 23 40 35 80 0  
Fax. 00 420 / 23 40 35 82 0

#### Turkey

OSCA Otomotiv Ltd.  
Org.Sanayi Sitesi Dolapdere Koop.  
3 Ada No: 2  
TR - Ikitelli / Istanbul  
Tel. +90 212 - 549 86 31  
Fax. +90 212 - 549 33 47

#### Hungary

Austropannon KFT  
Fő ut 96  
H - 9081 Györujbarat  
Tel. 0036 / 96 - 54 33 33  
Fax. 0036 / 96 - 45 64 81

#### Ukraine

Geruk K  
ul. Vernigory 15  
257008 Tscherkassy  
Tel. 0038 / 04 72 63 87 47  
Fax. 0038 / 04 72 63 87 47

#### USA

Espar Tech Center  
9675 Harrison Road  
Suite 102  
Romulus, Michigan 48 174  
Tel. 001 / 734 - 947 - 39 00  
Fax. 001 / 734 - 947 - 72 98

#### Belarus

ZAO Belvneshinvest  
Ul. Wostochnaja 129 / 102 - 104  
BY. 220 113 Minsk  
Tel. 00375 / 172 317 294  
Fax. 00375 / 172 317 481



## 8 Index

### Index

Keyword	Page	Keyword	Page	
<b>A</b>				
Accident prevention .....	4	<b>I</b>		
Adapter cable .....	11, 12, 16	Initial commissioning .....	4	
ADR .....	7, 34, 41 – 43, 49, 54	Introduction .....	4	
Assembly drawing .....	24	ISO adapter .....	11, 15	
<b>C</b>				
Cancel the control box lock .....	13, 15, 16, 17	<b>L</b>		
Certifications .....	41	Liability claim .....	4	
Check temperature sensor .....	8	List of abbreviations .....	45	
Circuit diagram .....	32 - 40	List of Contents .....	2, 3	
Combination sensor .....	27	<b>M</b>		
Combustion air fan .....	29	Metering pump .....	31	
Combustion chamber cover .....	30	Module timer .....	11, 14	
Control and safety devices .....	7	<b>O</b>		
Control box .....	26	Overheating sensor .....	27	
Customer service program EDiTH .....	7, 11, 15, 16	<b>P</b>		
Customer service program KD2000 .....	7	Parts list .....	25	
Cutaway view .....	5	Pin assignments .....	44	
<b>D</b>				
Diagnostic unit .....	11, 12	Picture symbols .....	4	
Disposal .....	41	<b>Q</b>		
<b>E</b>				
EasyStart R .....	43, 44, 46, 47	Quality management .....	41	
EasyStart R+ .....	11, 19, 45 – 45	<b>R</b>		
EasyStart T .....	11, 43, 44, 48, 49	Regulations .....	4	
Emergency stop .....	7	Repair instructions .....	23 - 31	
Exhaust emission specification .....	9	Representatives abroad .....	42, 43	
Explosion drawing .....	24	Representatives .....	42, 43	
<b>F</b>				
Fan speed .....	19	Resistance values .....	9	
Fault code .....	18 - 22	<b>S</b>		
Fault description .....	18 - 22	Safety devices .....	7	
Fault diagnosis .....	11	Safety information .....	4	
Faults .....	9	Service .....	41 - 43	
Flame sensor .....	27	Statutory regulations .....	4	
Fuel metering pump .....	31	Switching value overheating sensor .....	9	
Fuel supply .....	31	<b>T</b>		
Function .....	5 - 7	Technical data .....	8	
Functional description .....	6	Testing equipment .....	11	
<b>G</b>				
Glow plug .....	26	Test speed for the blower .....	9	
Guarantee .....	4	Troubleshooting .....	9 - 22	
<b>H</b>				
Heating mode .....	6	<b>V</b>		
Ventilating mode .....				6

## 8 Index

---

### List of abbreviations

**ADR**

European agreement about the international transport of dangerous goods on the road.

**EC type-approval**

Permit awarded by the Federal Vehicle Office for the production of a heater for installation in motorised vehicles.

**EMC Directive**

Electromagnetic compatibility.

**JE-partner**

J. Eberspächer partner.